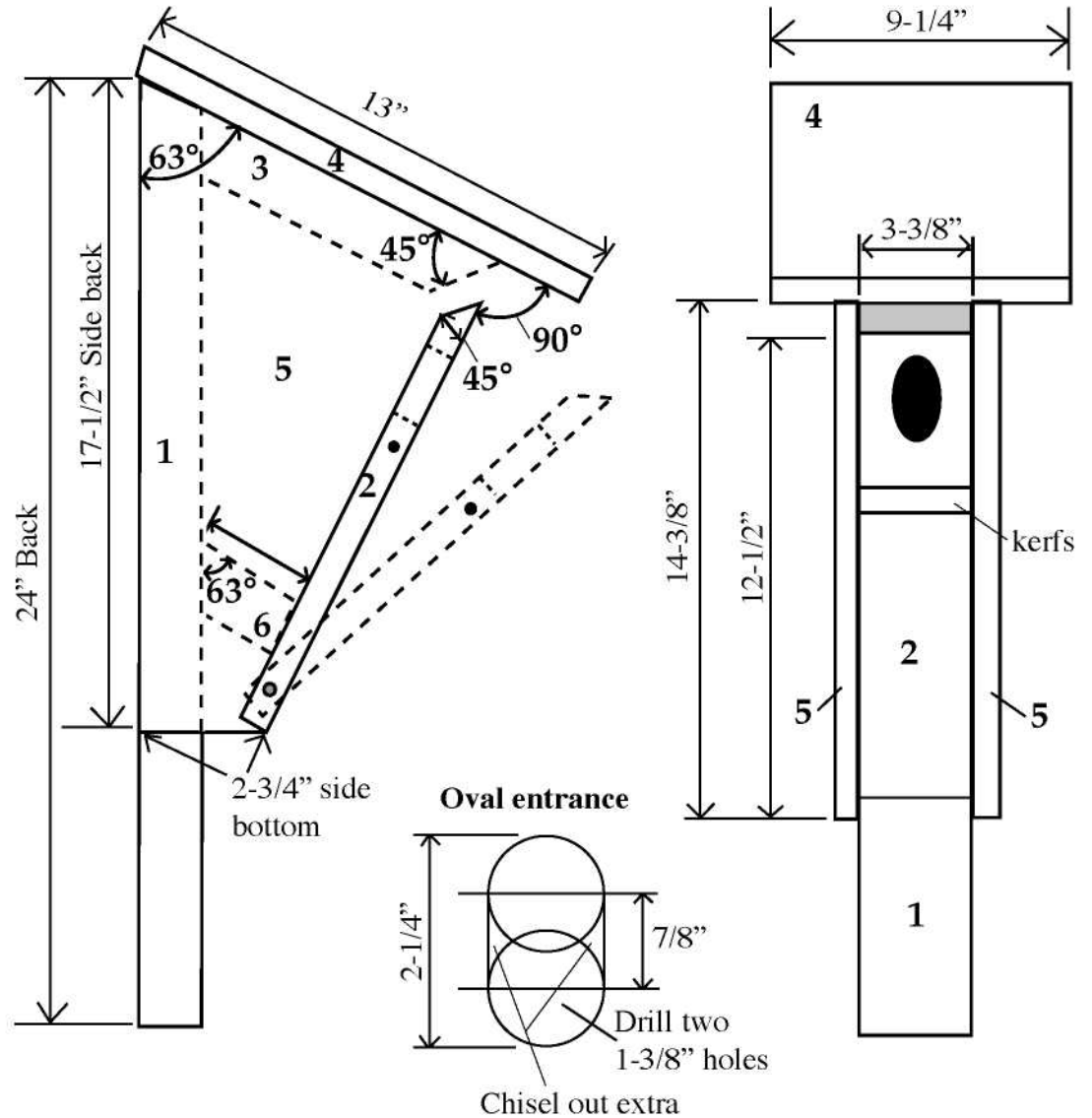
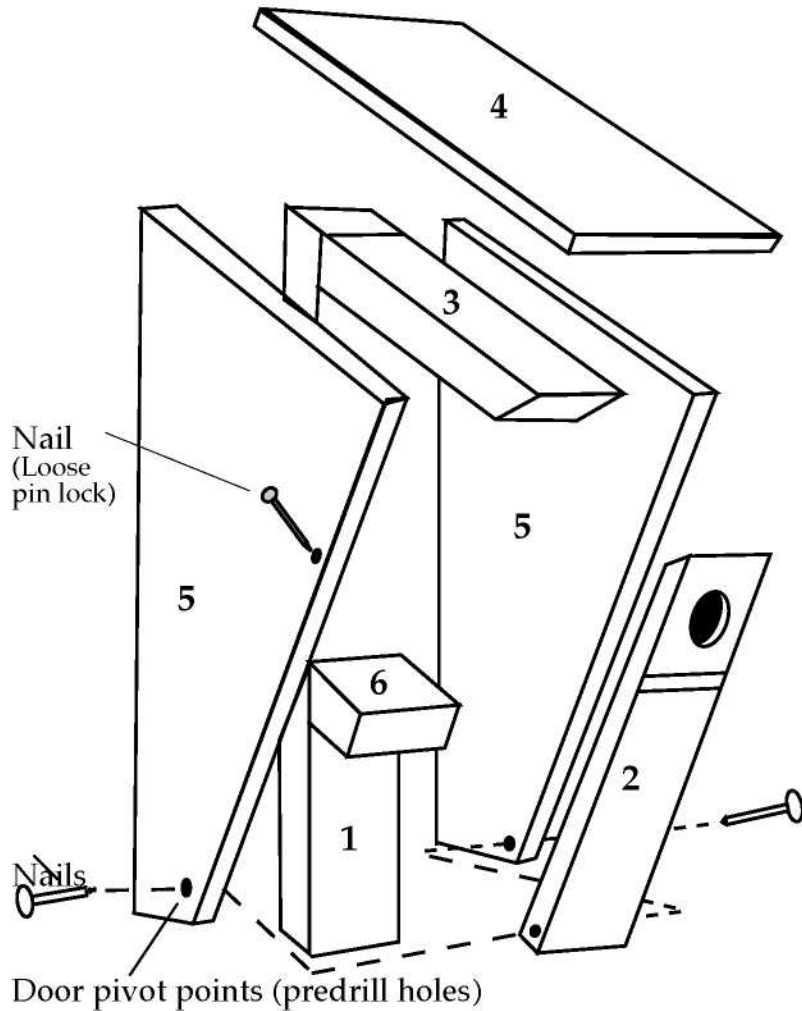


Peterson Nest Box (Unvented)



Materials List

1. Back: Wood - 1-1/2" x 3-1/2" x 24"
 2. Front: Wood - 3/4" x 3-3/8" x 12-1/2"
 3. Inner Top: Wood - 1-1/2" x 3-1/2" x 8-3/8"
 4. Top: Wood - 3/4" x 9-1/4" x 13"
 5. Sides: Lap Siding - 10-1/4" x 2-3/4" x 17-1/2" x 14-3/8"
Two sides are required.
 6. Bottom: Wood - 1-1/2" x 3-1/2" x 3"
- Nails: 26 required

The Peterson Box is more difficult to build but is an attractive design and makes an excellent bluebird nest box. Read the plans carefully before deciding to build this box. Make sure your skills are up to the task.

Because of the size and weight a "T" post mount is recommended.