

Fall 2021
Vol. 36, No. 3



Wisconsin Bluebird

Newsletter of the Bluebird Restoration Association of Wisconsin, Inc.

BRAW is an affiliate member of the North American Bluebird Society (NABS), founded by Lawrence Zeleny.

2021 Data Requested

See Page 2

BRAW Photo Contest!
See page 2 for details



© Patrick Ready

Inside this issue:

President's Report - 2 • BRAW EZ Form - 3 • County Coordinator News - 4 •

New Members - 5 • Wren Study Update - 6 • In Memorium: Leif Marking & Carol McDaniel - 7 • Nest Box Pros &

Cons - 8 • NABS-Style Nest Box Plan - 9 • Membership Form - 10 • Shop the BRAW Online Store - 12

President's Report

It's been a hellish year in many respects! We all have experienced great levels of discomfort. First, I have heard nothing but dismay about the numbers of bluebirds nesting this year and my own experience has seen a drop of about 65% less bluebirds nesting attempts. Climate change may continue to be a problem for our efforts. Second, the pandemic and the postponing/cancellations of conventions and other activities.



Several years ago, it was suggested that we change the name of BRAW for "we" had been successful in developing and maintaining a decent population of bluebirds in the state, in other words, drop the redundant name of "Restoration". Little did we know about 2021, especially Texas storm's bluebird kill off last winter. As much as we are frustrated with this year's nesting disappointment, the word restoration has the same sense of meaning as when we were started some 35 years ago. It is important that we double down and work to **restore** our Eastern Bluebird losses.

The good news is we, as determined enthusiasts, are positioned to do what is necessary to achieve this goal! Keep the faith!

This issue I am just full of disconcerting news. We have lost two giants of the bluebird: Carol McDaniel and Leif Marking. Carol worked at the National (NABS), State (BRAW) and Local level (LCBS) to promote bluebirds. She served as President at all levels! Leif was just as enthusiastic. He produced videos and publications, ran experiments, solved trail related problems, pushed to improve all aspects needed to keep bluebird populations high in Wisconsin. Obviously, both were highly respected and served on our BRAW Board of Directors with distinction. We all feel the vacuum created by their passing!

The Board of Directors will have met by the time you read this, and we will have a statement as to what will be coming up for this fall as well as this coming spring. You can look forward to some gathering in the spring, Madison's Garden Expo, and possibly other meetings going on around the state.

Prepare for next year this fall and think "Bluebird Recovery"! We will do this together!

Steve

SHOW US YOUR BLUEBIRDS! Enter our member photo contest.



Show Us Your Bluebirds!

Enter the BRAW 2021 Photo Contest for a Chance to Win a **\$50 Amazon Gift Card** and MORE!

The contest is open to all BRAW members. Photos of bluebirds are preferred but photos of other cavity nesters are also accepted. There will be first, second and third place winners.

RULES:

Open to BRAW Members only.

Original photography please.

Up to 3 submissions (photos) per person.

Photos do not need to be from the current year.

Photos will be judged on composition, image quality and subject matter. *Judges will not be affiliated with BRAW.*

FIRST PLACE

A \$50 Amazon Gift Card

Your photo on the cover of the *Wisconsin Bluebird* Newsletter - Winter Issue.

A free, one-year subscription to the newsletter for yourself, a friend or family member.

SECOND PLACE

A \$25 Amazon Gift Card

A free, one-year subscription to the newsletter for yourself, a friend or family member.

THIRD PLACE

A free, one-year subscription to the newsletter for yourself, a friend or family member.

Submission deadline is September 30.

Please email your photographs (JPEG file) with **your name, location and any other information** that you think others will find interesting to:

Patrick Ready at birdsready@gmail.com.

Subject line: BRAW Bluebird Contest

No mail in photos please.

Deadline extended to September 30!

Please Send in Your 2021 Data!

By Steve Fallon, Data Collection

This has been a tough year for monitors because of the lack of bluebirds that returned in spring. Years like this are important to get on record so monitor reports are needed from as many monitors as we can get to send in their data. It doesn't matter how many boxes you check each week because it will all add up. Maybe this will be a record year for another cavity nesting species? Statewide data will give us the info to compare with past years.

The BRAW EZ Summary Form is what you need to fill out so we can include your results for this nesting season in our data report. If you keep good records of your monitoring results throughout the season it should only take 5 minutes to fill out the form. Then you can decide how you want to submit it. You can mail it, or send the information to the email address at the bottom of the form. **If you choose to email it you will have to type the information into your message.** Make sure you include the required information from the card.

DEADLINE: September 30.

Please use the BRAW EZ Summary Form. It's also available as a download on the website - www.braw.org. **You can also fill in the form (2021 EZ Form) and submit it directly from our website!**

For a paper version, fill it out (one per county) and mail it to:

**Data Summary Director
974 Halcyon Days Ct.
Oregon, WI 53575**

Email to:
wisconsinbluebirds@gmail.com
or use the **2021 EZ Form** on our website: www.braw.org

If you've noticed any errors or omissions in the data, please let me know as soon as possible. We'll print corrections in a subsequent issue.

Please note: If you are reporting data that's part of a large trail, make sure the data only gets reported to us one time. If you want individual recognition for your trail monitoring effort, send BRAW your data report but make sure your trail manager doesn't include your info in their report to BRAW.

BRAW EZ Summary Form

Use this card to report your nest box results for the season.
DEADLINE SEPTEMBER 30. 2021

_____ No. of boxes* _____ Boxes used by Bluebirds*
 _____ Bluebird eggs laid _____ Bluebird eggs hatched
 _____ Bluebirds fledged * _____ Tree Swallows fledged
 _____ Chickadees fledged _____ House Wrens fledged

[] "I did not disturb any Chickadee, Tree Swallow or House Wren nests."

*County _____ Year: _____

*Name _____

Address _____

City _____ State _____ Zip _____

*Phone (_____) - _____

*email: _____

* Required data. Please provide any other data or information.

Comments: _____

EZ Summary data can be emailed to: wisconsinbluebirds@gmail.com
 Or mail to: Data Summary Director , 974 Halcyon Days Ct., Oregon, WI. 53575

A Solution to the House Sparrow Problem?

Many members have reported that house sparrows will avoid using a box that is well lit on the inside, but bluebirds will readily accept such a box. BRAW is planning to conduct a study to determine if having a skylight, a piece of clear plastic in the roof, will be a passive solution to keeping house sparrows from using bluebird boxes. We plan on installing boxes, with and without plastic skylights, on trails that have had sparrow problems in the past and evaluate the findings. BRAW will be asking our members to participate in this research. More information will be presented in the winter newsletter.

County Coordinator News

By Gene Birr, CC Chair

Just a brief note about my season here in Oconto County:

I have experienced the worst season of fledgling bluebirds since I began monitoring trails for BRAW in 2009. I will be reporting less than 65 bluebirds fledged from my 120 nest boxes in 2021, which is only about 1/5th of last year, when I reported 303 bluebirds fledged in 110 boxes. While nearly all my trails were much lower, I did have one small trail on a horse farm that had bluebird nests in 4 of 5 boxes, which produced nearly a third of all my bluebirds.

Nearby in Outagamie and Brown counties, Steve Mayer had much better results. He reports fledging nearly 95 bluebirds in his 65 or so birdhouses. This shows how the bluebird production can vary even in nearby counties. We speculate that in some areas like his many local birds may have overwintered here and did not fall victim to the harsh winter encountered by those birds which ventured farther south, as so many did.

Eau Claire Co., Rita Gundry

At this time, my dismal fledgling report stands at 24 bluebirds for my trail of 30 bluebird nest boxes. This seems to be consistent with other bluebirders I have talked to. Karen Schauer, a BRAW member from Eau Claire, is hosting two bluebird nest box building workshops on September 15, 2021. Attendees are interested members of the Chippewa Valley Learning in Retirement group. Thanks to Dennis Pawlak, another area BRAW member, the groups will be assembling pre-cut nestbox pieces he has prepared. Larry Liegel, a BRAW member, and I will be present at these workshops with a display of bluebird-related material and will answer any questions generated by the participants.

La Crosse Co., Scott Kinninger

Greetings everyone.

My bluebird season was likely similar to most everyone else's, based

on what I've heard. Feedback and discussions with family and friends from various places indicate that the season was disappointing for most, if not all, people with little to no bluebird activity. I will generally see and hear bluebirds in and around my yard regularly, but this year was much quieter. I only have a small trail and the nest boxes that were used this year by bluebirds were only used for one brood, where typically I will get two in some of them, and I don't know why that happened. One box sat completely empty for the second half of half of season where just 2 years ago that box fledged 11 bluebirds in one season.

On a positive note the bluebirds that I did have nest had a 100% success rate

I'm still very optimistic about the future and hope to expand my trail for next year. If anyone in Lacrosse County needs help or needs birdhouses let me know, I build houses in my woodshop during the winter.

Dane Co., Patrick Ready

This is the first time in over 20 years of monitoring nest boxes that I didn't have any tree swallows nest mid-summer. Typically I will get pairs in mid-to-late June that sometimes com-

pete with bluebird pairs for the box. But this year with so few bluebirds in spring I think all the tree swallows found boxes early. As did Black Capped Chickadees! The data reports for the state may show a big increase in chickadee numbers.

For late summer I have 2 bluebird presentations at Wild Birds Unlimited in Madison. Hoping to generate some interest in getting boxes out in the fall. It's much easier to pound a pole in the ground when it isn't frozen. March & April can be tough when frost is still pretty deep in the ground. I recall one year I tried in late April and still couldn't break through. That was the year I had a wren trying to nest in a box when a pair of tree swallows took over. The swallows feathered the stick nest and laid eggs. Then the wren hen dumped an egg! The box ended up with 7 swallows and one wren chick! The swallow incubated all the eggs and all hatched and all fledged. It may be hard to tell in the B & W photo but the beak is longer and more pointed on the wren chick. Find it?

Waupaca Co., Craig and Sheila Beyer

After an awesome year for the bluebirds in 2020, we had high expectations for 2021. That all started in my workshop last winter where I built 90





In some areas chickadees took advantage of available nest boxes when fewer bluebirds returned.

new CEDAR houses. We installed 82 of these in prime locations through out our county. I am a little sad to report that a lot of these houses, and over a hundred that we already had out there, didn't have bluebirds in them!

Due to some health issues, I was not able to monitor them all properly, but suffice it to say, we are having an "off" year raising our beloved bluebirds! The boxes were mostly filled with swallows.

I think the late winter storms down south must have taken a toll on the bluebirds. At least we have plenty of housing available to help re-build the flock, so to speak.

We did get some awesome photos from cemeteries where we installed houses with crosses on them. Bluebirds love cemeteries! I've included some photos.

Okay, we hope other people had better luck this year than we have.

Dodge Co., Jack Bartholmai

It's hard to compare this year's nesting results on my trails with past years for many reasons. The number of boxes has been increased from 111 to 116. Many of the nest boxes have been removed to decrease House Wren occupancy with some success as 93 House Wrens fledged last year and this year 70. More boxes were placed on a "Tree Swallow trail" resulting in an increase from 235 fledged Tree Swallows in 2020 to 296 in 2021. (However, the average clutch per nesting was less.)

This year the most striking change in bluebird fledging occurred on a Golf Course trail. Over the past 4 years the average number of fledglings was 61. This year the total is likely to be 22 bluebirds fledged. The number of boxes used in the past 4 years was between 8 and 12, this year only 4 were occupied by bluebirds.

This reduction in use was also seen overall in the 116 boxes that were monitored. Last year 44 boxes were used by bluebirds and only 26 this year resulting in the number of bluebirds fledged from 220 to 146.

This year the Black-capped Chickadees had a bumper crop of 34 fledglings even though many nests that were initiated were lost to avian competitors.

Rock Co., Rod Courtier

My trail started out very slow. I got a few nests late May and June, and then later in July.

My numbers will be down around 40 to 50 percent.

I spoke to Mike Johnson and his trail is doing quite good.

Iowa Co., Dale and Doris Moody

70 Houses
239 eggs
185 young
167 fledged
4 chickadees fledged
24 tree swallows fledged

Lafayette Co., Dale and Doris Moody

10 houses
34 eggs
23 young
17 fledged
No tree swallows or chickadees

Door Co., Charlotte Lukes

2020				
Species	Boxes used	Eggs	Hatch	Fledged
Bluebird	16	144	102	71
4.44 EB per box				
Swallow	2	10	10	10
Chickadee	0			
Wren	1	6	6	6
2021				
Bluebird	14	92	63	59
4.21 EB per box				
Swallow	2	10	10	10
Chickadee	6	42	28	24
Wren	2	12	4	4

Thanks to all County Coordinators for thier reports and efforts helping increase bluebird numbers.

BRAW Welcomes These Members

BRAW welcomes these members.

American Family Insurance, Madison
The Oaks Golf Course, Cottage Grove
Kestrel Ridge Golf Course, Columbus
Governor Nelson State Park, Waunakee
Paula Avelleyra, Madison
Mark Keating, Neenah
Melba L. Carey, Amherst
Joe Boos, Reedsburg
William Grinnell, Boscobel
Ashley Smith, Woodville
Karen Bonnstetter, Woodville
Renee & Jim Heder, Suamico
Chris Fix, Stevens Point
Mary Strasser Colclough, LaCrosse
Warren Wilson, Mount Horeb
Lianne Stephenson, Madison
Randy Kelly, Cashton
Paul Kelly, Cordova, AK
Don Hoffman, Black River Falls
Jim Neider, Plain
John & Sally Ouellette, Madison
Judi Diehl, Plain
Lisa Lauscheid, Green Bay
Thomas Neises, Cazenovia
Diane Morgan, Hazel Green
Josh Orwig, Janesville
Patty Volk, Oconto
Bob Andrews, Oconto
Barbara Nelson, Racine
Paul Kaufman, Verona
Kathryn Jenkel, Carbondale, IL
Marilyn Pick, Pinckneyville, IL
Donations
In Memory of Carol McDaniel
Carol & John McDaniel/Fafayette Co. Bluebird Soc. \$20,000 Erin Keen \$100
In Memory of Leif Marking
Family & Friends \$2000
Verdel and Carol Dawson
Brian and Christine Tippetts
Harry and Ellen Caulum
Ann Brice and Bill Haviland
Alvin and Julia Forde
Peter Tabor
Daniel and Mary Ann Rathburn
Bob and Judy Hoffman
Kenneth and Dorothy Nelson
Pat & Steve Cox, \$15 nest box
Darlene Jakusz, \$10
Jeff & Amy Maras, \$25
Jack Freeman, \$6

Wren Study Progress Report

By Gene Kroupa

This spring BRAW funded a study by Professor Memuna Khan and her student Natalie Davies of Ripon College to determine if wren guards are effective in discouraging nest destroying behaviors by aggressive wrens.

To field test the guards, two nest boxes were installed for 24 hours near 16 different wren nests. Each nest box contained a nest and two sparrow eggs. One box was outfitted with an entrance guard, while the other was not. According to Professor Khan, preliminary results showed that:

- **Wrens avoided the protected nest boxes.** In 56% of the trials, wrens destroyed eggs in protected boxes, compared with 94% in the unprotected boxes.
- **Wrens were less likely to destroy eggs late in the season.** Wrens were three-times more likely to destroy eggs in June than in July.

Professor Khan and Ms. Davies will present a full report to the BRAW Board of Directors later this year. This research was made possible via your membership and the Carol McDaniel Legacy Fund..



Pat Ready photo



1. Guard protected and unprotected nest boxes near active wren nest.



2. Sparrow eggs in nest that wrens removed and covered with sticks.



3. Student Natalie Davies placing sparrow eggs in nest box equipped with wren guard.

Memuna Khan photos

In Memorium

By Patrick Ready, Editor

This year we lost two wonderful Bluebirders that have been instrumental in promoting BRAW's Mission. Here are excerpts of two recent articles from *Wisconsin Bluebird* issues. For the full article on Leif look back to Vol. 34, #2. For the complete article by Carol McDaniel, Vol. 36, #1 is when she wrote it. Find on braw.org.

Get to Know Your County Coordinator

Leif Marking is a model of conservationism. Both his occupation and volunteerism have made him a true leader and respected authority in conservation. He uses scientific methods learned in his occupation to propagate Eastern Bluebirds, and he freely shares his knowledge with others to help them enjoy a successful proliferation of this beautiful species.

After graduating from Holmen High School Leif worked on the family farm for a year, and then spent two years in the US Army. He attended La Crosse State University to earn undergraduate and graduate degrees in Chemistry and Aquatic Biology. He became an aquatic toxicologist with the US Fish and Wildlife Service in 1962 where the emphasis in Fisheries Research was identification of useful chemicals for fisheries management. Leif became the Section Leader of Toxicology in 1964 at the Fish Control Laboratory in La Crosse, WI, a position he held until his retirement in 1993.

Leif is a life member of the Bluebird Restoration Association of Wisconsin, www.BRAW.org, serving on its Board of Directors, as La Crosse County Coordinator, and Nest Box Design Chairman. Leif's region, Western Wisconsin, has consistently high bluebird production rates, and Wisconsin has led the nation in bluebird reproduction in four of the last seven years. The results are published in Newsletters or Journals or on www.briceprairieconservation.org. He also enjoys membership in the North American Bluebird Society. NABS published the results of Leif's nest box temperature research study in 2010. His temperature research demonstrates that heat cycles in summer require ventilation to prevent heat mortality, but the cold



cycles in early spring require non-venting. Leif's convertible box design is available www.briceprairieconservation.org.

Leif has been monitoring bluebird houses since 1992 and in 2012 alone his trail fledged 1,019 bluebirds. Brice Prairie Conservation Association efforts as a whole have reached as many as 5,000 successful fledges in a single year. They have totaled 55,752 fledges to date.

Leif Marking is the recipient of the 2018 Director Emeritus Award and in 2010 the Joe O'Halloran Lifetime Achievement Award from the Bluebird Restoration Association of Wisconsin. In 2005 North American Bluebird Society Conservation Award.

35 Years with BRAW

Bluebirds have been a focus of mine since 1977 when my husband's aunt, Ruth Reinoehl, who was an avid birder, read an article in *National Geographic* written by Larry Zeleny, founder of the North American Bluebird Society (NABS), titled, "Song of Hope for the Bluebird" and passed it on to me. The article explained the troubles that the Eastern Bluebirds were having with dwindling numbers and told about ways the average citizen could help "bring the bluebird back".

In 1979, I saw my first bluebird at Yellowstone Lake State Park near Blanchardville, WI.

In 1980, I discovered a pair of bluebirds nesting in the box in our backyard with four baby bluebirds. It was a Rubbermaid box that my husband



bought for me and was tacked on top of a wooden fence post. I remember the shock of finding the dead parent birds laying on the grass below the box and the four nestlings chirping inside anxious for a meal. Not knowing what to do, I telephoned Larry Zeleny and he explained, "Keep them warm and feed them cutup worms every twenty minutes from dawn to dusk." My family got into the act and we dug worms from the garden and searched trees for tent caterpillars. We cut up the worms and fed them with tweezers. A heating bulb kept the babies warm.

In 1986, I read in a local paper that the Bluebird Restoration Association of Wisconsin (BRAW) had formed and was looking for members. I joined and started receiving their newsletter. I read it from front to back and was fascinated with the information. There were few bluebirds fledged in those days and raising them was a challenge. BRAW asked members to report to them about their bluebird trails. I hiked my bluebird trail once a week; often taking my six-year-old daughter, Tammy, with me. She loved seeing the bluebirds fly from the boxes and would peek inside at the little ones.

Soon, I became a BRAW county coordinator for Lafayette County and, eventually, board member and county coordinator chair. Later, I served as BRAW president.

The Annual Meetings were attended by bluebirders from all counties of Wisconsin, as well as, members from outside of the state, allowing us to get acquainted with other bluebirders. Each meeting showcased speakers on the topic of bluebirds and other nature subjects of the day. Expert information was given by experienced members at the Bluebird Roundtable. The meetings were well attended and enjoyed by everyone.

It pleases me to think back and reminisce about what has been accomplished in the BRAW organization since its beginning in 1986 and to recall the fine people who became friends of mine and my husband's. We can all be proud to say we have rubbed shoulders with Wisconsin bluebirders.

Nest Box Pros & Cons

By Pat Ready, Editor

When I give a bluebird seminar I'm often asked what box design is the best one? Well everyone has a different opinion about that. Here are a few designs with some pros & cons about each. Bluebirds aren't too picky if the box is mounted in good habitat where they can find food and water. BRAW recommends the NABS box with a predator guard.



Hill Lake Box. This design was very popular back in the 90s. It was meant to stop raccoons from getting to eggs or fledglings. The deep box prevents a coon's reach. However once a female bluebird built a nest a second time she add more grass and raised the nest high enough coons got in. The block on the front does not deter predators. Still used today but I don't see them very often.



Peterson Box. Designed by Dick Peterson of Minnesota. He tried to emulate the angle of a natural tree branch tilting down to keep rain out. Extra large roof disperses heat and rain both. He came up with the "oval hole" which became popular and used for other box designs. Con: heavy box, somewhat complicated to make and uses quite a bit of material. Needs heavy duty post for support.



NABS Box. Designed by Lawrence Zeleny founder of the North American Bluebird Society. He chose this design after trial and error of various styles. Sloped roof sheds rain. Inside dimension is perfect for nest and encourages larger clutches. Side opening, can be made to tilt from top or bottom as preferred by monitor. The box in this photo is mounted low on a fence perhaps to keep sparrows out. Open to predators though.



K-Box. One of the first anti-house sparrow nest boxes. Designed by a horse rancher from Kentucky. He thought a small interior, U-shaped entrance at the top front and an angled roof sloping back would keep House Sparrows from nesting. Nope! Seen it fail many times.



Gilbertson PVC. Designed by Steve Gilbertson of Minnesota to thwart sparrows. I have used this box on a state park trail for 10 years and never had a House Sparrow use it. Made from thin wall PVC and painted on the inside with birch bark look on the outside. Squeeze it to remove from roof for inspection. Some monitors don't like the small capacity and thin walls for insulation in cold spring temps. I've never lost a brood to cold and usually have 3-5 chicks/brood.

NABS style Bluebird Box

Cedar, 7/8" lumber preferred.

8" wide for top

6" wide for back, front, sides & bottom

All angle cuts are 10 degrees

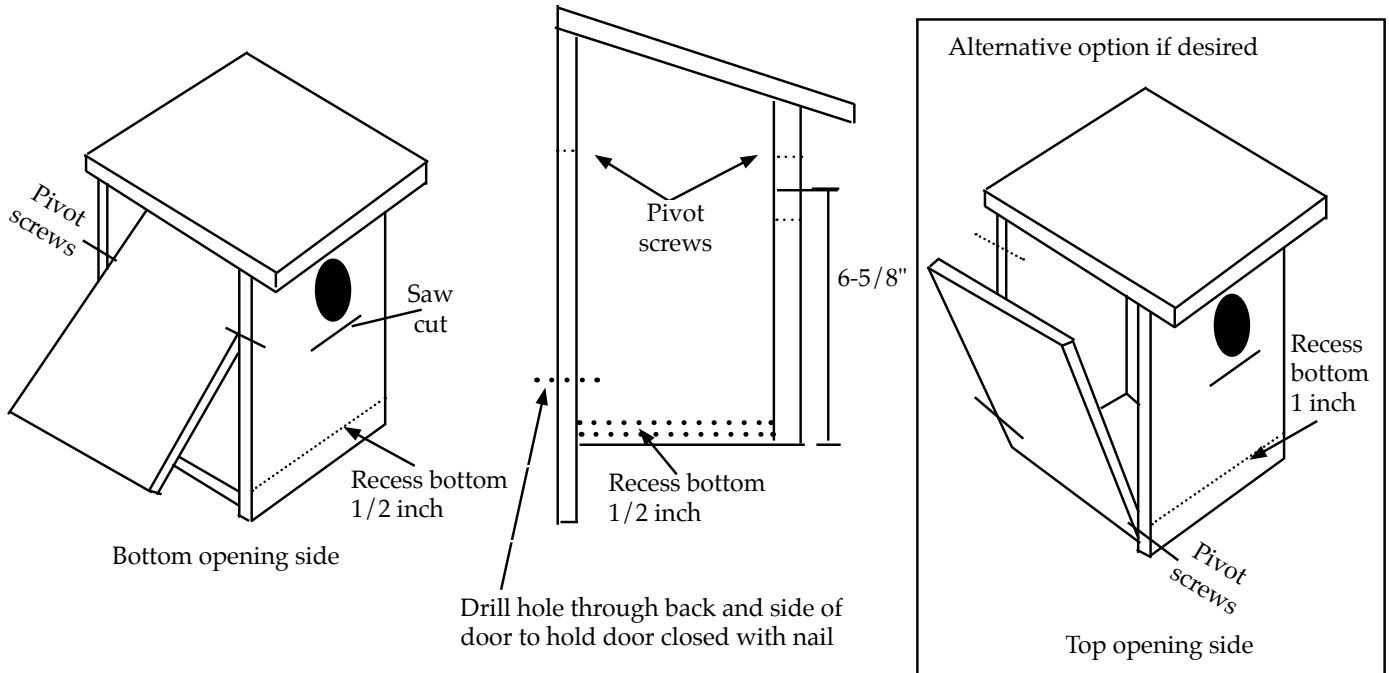
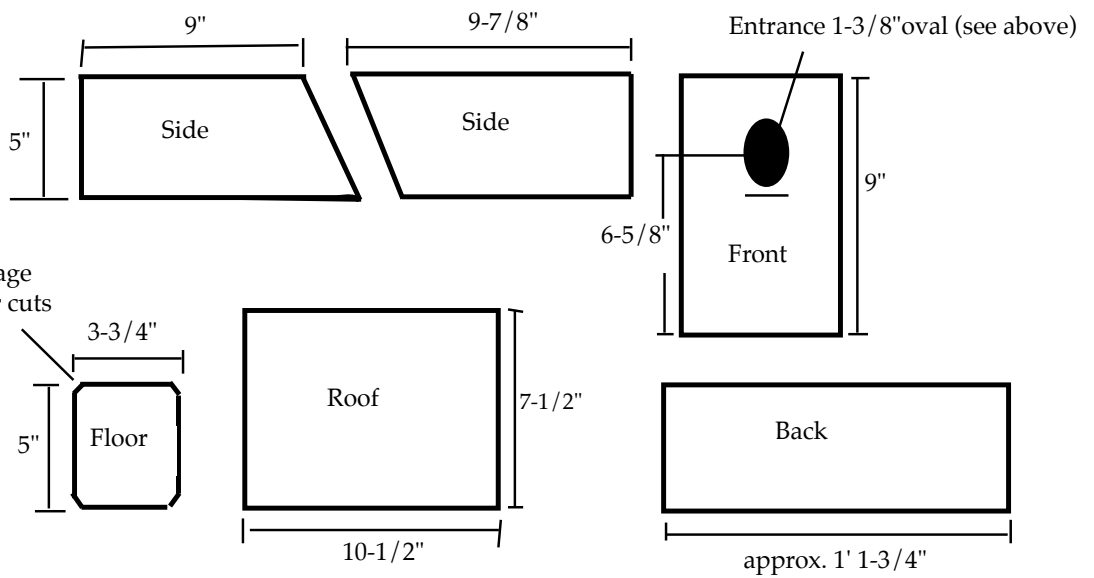
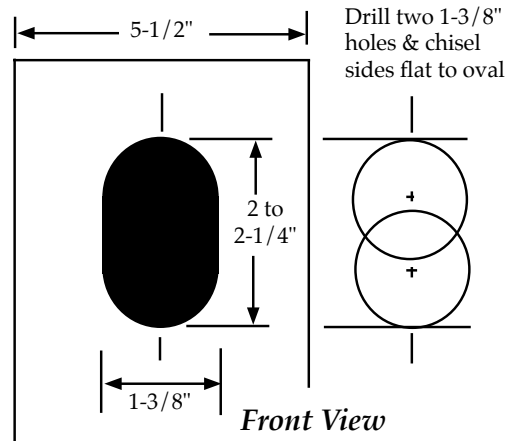
Roof is 7-1/2" wide x 10-1/2" long

Sides 9-7/8" long x 5" wide

Floor is 5" x 3-3/4"

Back & front 5-1/2" wide

Recommended Oval Hole Plan



Winter is a good time to build some nest boxes for trail expansion, gifts or replacement of old boxes. Other box plans are on our website: braw.org.

Membership Renewal Information

By Valerie Van Winkle, Membership Services

If the address label of your *Wisconsin Bluebird* newsletter reads Fall 2021 next to your name, then your membership expires this month and you need to renew immediately. If you are an online member, you won't see this clue so please consider marking the expiration date on your calendar when you sign up. We don't want you to miss a single newsletter!

The next issue of the *Wisconsin Bluebird* goes into production in November and will be mailed in December. Memberships received after November 15 may not be processed in time to receive the Winter newsletter. Consider an extended or one-time \$300 Life Membership. **Please fill out the membership renewal form on this page and send it with your check or money order to: BRAW, Inc., Valerie Van Winkle, PO Box 628492, Middleton, WI 53562**

You can also renew your membership at www.braw.org and use PayPal or a credit card.

BRAW, Inc. Membership and

Wisconsin Bluebird Subscription

Yes! I would like to join or renew as a member with the Bluebird Restoration Association of Wisconsin, Inc. (BRAW) and receive its quarterly newsletter *Wisconsin Bluebird*. Enclosed is my check/money order (do not send cash) made out to BRAW, Inc. for the following:

- \$10 Gift Annual Membership (Online subscription)
- \$15 Student/Teacher Annual Membership (Online subscription)
- \$20 Online Annual Membership
- \$40 Extended Online Annual Membership for 2 years
- \$60 Extended Online Annual Membership for 3 years
- \$25 Individual or Family Annual Membership (Printed copy mailed)
- \$75 Extended Individual or Family Annual Membership for 3 years (Printed copy mailed)
- \$100 Corporate Annual Membership
- \$300 Life Membership

**A BRAW
membership makes
a great Anytime gift!**
\$10 includes Online Newsletter
Give the gift of Bluebirds!

Name: _____

Address: _____

City: _____

State: _____ Zip Code: _____

*Email Address: _____

Telephone: () _____

County of residence: _____

*BRAW sends out nest box deal promotions and "time to renew" reminders via email.

Donation (optional)

\$15 to nest box construction/post & predator guard

\$100 for nest box trail

\$_____ for bluebird research

In addition to my membership contribution, I wish to contribute: \$_____

(Contributions to BRAW are tax deductible.)

Check appropriate boxes:

This is a renewal

This is a new membership

This is a GIFT membership

Enclosed please find my check \$ _____

Mail this membership request to:

BRAW, Inc.
Valerie Van Winkle
PO Box 628492
Middleton, WI 53562

We do not share or sell BRAW's membership list.

If you have any questions, please contact Valerie at 847-302-5684 or ripvws@gmail.com.

BRAW ELECTED & APPOINTED OFFICERS

President Steve Sample, 422 Shepard Ter., Madison, WI 53705 • 708/606-8070 • ssample@gmail.com (term to 12/22)

Secretary Gene Kroupa, 1010 Tumalo Trail, Madison, WI 53711 • 608/238-3571 • gkroupa@tds.net (term to 12/22)

Treasurer Dan Schroeder, N4028 Morgan Drive, Waupaca, WI 54981 • 920-475-8525 • brdanjoe@gmail.com (term to 12/22)

Director Steve Fallon, 974 Halcyon Days Ct., Oregon, WI 53575 • stevfall50@gmail.com (term to 12/21)

Director Dave Lucey, Cross Plains, WI • 53528 • dklucy@chorus.net (term to 12/22)

Director Mary Sobol, 5205 Broadhead St., McFarland WI 53558 • 608-838-6962 (H) 608-338-8529 (cell) msobolontime@gmail.com (term to 12/22)

Director Mike Crawford, 817 5th St. Waunakee, WI 535397 • 608-213-1806 • mike@marieandmike.com (term to 2021)

Director Patrick Ready, (Past President) 815 Sky Ridge Dr., Madison, WI 53719 • 608/239-0791 • birdsready@gmail.com (term to 12/21)

Director Fred Craig, 3308 Nathan Lane, Holmen WI 54636 • 608/783-2225 266marycraig@gmail.com (term to 12/23)

Director Andy Garcia Rivera, 10 Darien Circle, Madison, WI 53717 • agarciaivera@gmail.com

APPOINTED OFFICERS AND COMMITTEE CHAIRPERSONS:

Data Collection Officer: Steve Fallon (see above)

Public Relations: Steve Sample (see above)

County Coordinator Chair: Gene Birr, 722 E. Frontage Rd., Little Suamico, WI 54141 • gbbird22@gmail.com • (920) 826-7552

Funding: Dan Schroeder (see above)

WI Bluebird Editor: Patrick Ready (see above)

Membership: Valerie Van Winkle, PO Box 628492, Middleton, WI 53562 • ripvws@gmail.com

Promotions: Gene Kroupa (see above)

Student and Youth Outreach Committee: Positions open to volunteers

Website: Andy Garcia Rivera, agarciaivera@gmail.com

BRAW LIAISONS:

Bureau of Endangered Res. Liaison: Sumner Matteson, DNR, 101 S. Webster St. PO Box 7921, Madison, WI 53701 • 608/266-1571

WSO Liaison: Jennifer Wenzel • miloloki@wi.rr.com • 262-488-8077

Wisconsin Bluebird • Volume 36, Number 3 • Fall 2021
Published by the **Bluebird Restoration Association of Wisconsin, Inc.**

Editor, Designer, Photographer
Patrick Ready, 815 Sky Ridge Dr., Madison WI 53719
608-239-0791 • birdsready@gmail.com

CHANGE OF ADDRESS: Contact Membership Chair **Valerie Van Winkle**, PO Box 628492, Middleton, WI 53562, Email: ripvws@gmail.com

Wisconsin Bluebird is published quarterly by the Bluebird Restoration Association of Wisconsin, Inc. (BRAW) 815 Sky Ridge Dr., Madison, WI 53719. Subscription price is included in membership dues. Subscriptions and membership renewals should be sent to: **Valerie Van Winkle, PO Box 628492, Middleton, WI 53562**

Issues are dated Spring, Summer, Fall, and Winter. Deadlines for submissions to the editor are due the 15th of January, April, July, and October.

Except for material with a copyright notice, permission to reproduce material printed in *Wisconsin Bluebird* newsletter is granted providing credit is given to *Wisconsin Bluebird* newsletter as the publisher and to the author(s) or photographer(s) whose bylines and photo credits appear with the story or photographs.

For Goodness Snakes!

Did you happen to look closely at the cover photo? Did you notice the female bluebird has a baby Brown Snake in her beak? I took that photo a few years ago at Lake Kegonsa State Park. When I took it I assumed she had an earth worm or night crawler.



BRAW & Amazon Smile!

Amazon has developed a way to support non-profit organizations such as **BRAW**. If you use Amazon, log into "<https://smile.amazon.com>" instead of amazon.com. You will need to select **BRAW** as your intended organization that you support by typing **Bluebird Restoration Association of Wisconsin** in the appropriate line. **ALL ORDERS USING THIS LOGIN WILL GENERATE A PORTION OF YOUR PURCHASE TO BRAW!** The products purchased will cost you the very same as if you just log into their standard site. However, BRAW will receive 0.5% of your total purchase. It is easy and you will be supporting us without any additional cost to you.



The mission and purpose of the Bluebird Restoration Association of Wisconsin, Inc. is to broaden the base of state residents to help Eastern Bluebirds and native cavity nesters by erecting, maintaining and monitoring nest boxes.

Bluebird Restoration Association of Wisconsin

Patrick Ready
815 Sky Ridge Dr.
Madison, WI 53719
www.braw.org



NONPROFIT ORGANIZATION
U.S. POSTAGE PAID
MADISON, WI PERMIT #2783



**Send in Your 2021 Data
by Sept. 30**
See page 3

Check the address label. If it says "Fall 2021", then you need to RENEW membership now.

Shop the BRAW Online Store for the holidays!

Give the gift of Bluebirds!

Check out the store for T-shirts, tank tops, sweat-shirts, hats, mugs, aprons, bumper stickers, and lots more all with bluebirds on them.

Items can be ordered online at www.cafepress.com/braw. As always, a portion of the purchase price of items goes directly to BRAW to help fund bluebird conservation programs.



Check out the wide variety of sweatshirts and T-shirts in sizes from kids to adults. Pets too!



Cards now available in packages of 10 or 20.



www.cafepress.com/braw