

Spring 2022
Vol. 37, No. 1



Wisconsin Bluebird

Newsletter of the Bluebird Restoration Association of Wisconsin, Inc.

BRAW is an affiliate member of the North American Bluebird Society (NABS), founded by Lawrence Zeleny.

Final 2021 Data Report

See Page 2



Western Bluebird © Mary Bakus

Inside this issue:

President's Report - 2 • Wisconsin Monitors' Report - 2 • Monitors' Data - 4 •
County Coordinator News - 6 • BRAW Awardees - 8 • Harold Cram Fund - 11 •
Spare the Snag - 11 • Purple Martin Guidelines - 12 • NABS-Style Plan - 13 •
Membership Form - 14 • Bluebird Life Cycle - 16

President's Report

Spring is coming at us and even with Punxsutawney Phil's forecast of a longer winter, it's time to plan to change nesting boxes, to move nesting boxes to a better location and to even expand nesting boxes numbers. (We'd never say eliminating them!).



We've been keeping our attention on the weather in the south where many of our blues winter and at this writing there have been few concerns, unlike last year. For all of you that work so hard to help our blues rebound from the unfortunate low nesting successes last year, a great deal of appreciation is in order! Thank you!

Speaking of change, change is not always a good thing. For example, Pat Ready (immediate past President of BRAW) has sent me pictures of his finch tube feeders full of Common Redpolls (CORE) eating Nyjer seeds while I haven't seen one at my feeders located just a few miles away. I never had that problem in the past.

What changed? Well, I took down my finch tube feeders and replaced them with finch nylon socks. I can wash these socks and I replace them periodically. That change is the apparent problem for a neighbor has COREs on her tube feeders. Guess who is changing back to finch tube feeders!

So what is my point, and how does that apply to bluebirds and nesting boxes? Many of us have tried changing different designs of bluebird nesting boxes to see if bluebirds prefer any particular design or to reduce house sparrows and wrens from using them.

Many of the nesting box designs we see today are a result of failed changes to deter these birds while still enticing



Common Redpolls/Patrick Ready

the blues. That said, BRAW is sponsoring long term studies to see if certain design modification changes to bluebird nesting boxes will deter both the House Wren and the House Sparrow. We are trying to make some change for the better! Will these changes be good ones? We'll have to see. Look to future issues of *Wisconsin Bluebird* for any progress.

Lastly, I want to point out the 2021 awards recipients in this issue. Our organization has so many worthy candidates for recognition. Here's to our success this year!

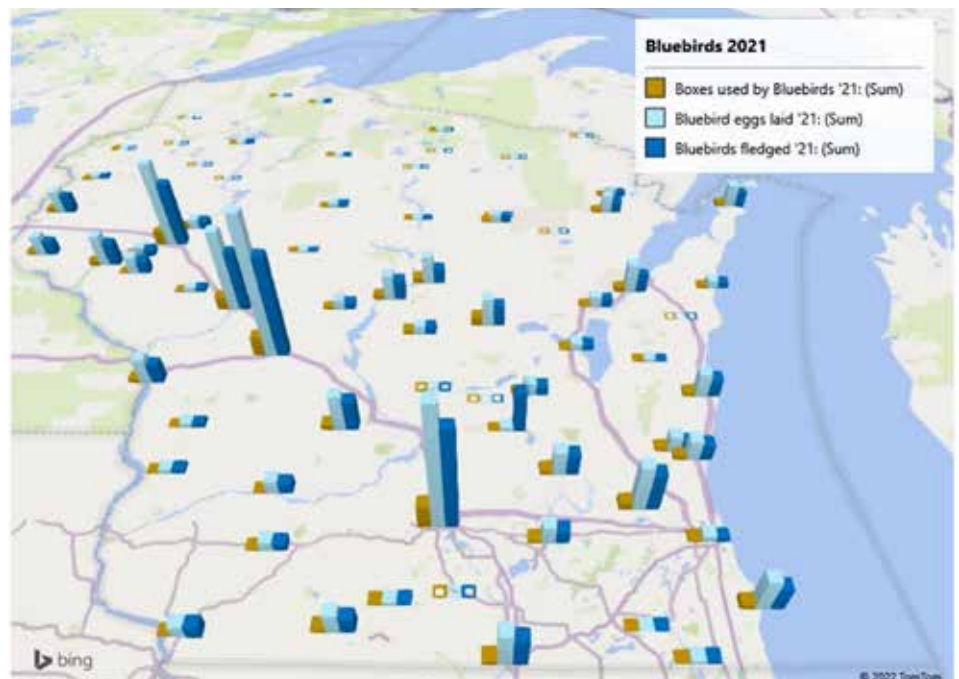
Steve
President

Data Report for 2021

By Steve Falon, Data Collections

Greetings fellow Bluebirders! The final numbers for our 2021 bluebird fledglings are in, and as I indicated in our previous newsletter, we were in for some rough sledding. Our 2021 EAB fledglings were 11,677. That number is only about 55% of the number of birds fledged in 2020. A visual representation of where in the state the numbers originated are on the following map graphs.

The first map shows our 2021 Bluebird numbers by county. The numbers of boxes used by bluebirds, eggs laid, and bluebirds ultimately fledged are indicated by the height of the bars in the graph. The next graphed map shows a comparison of the 2020 fledged EAB numbers compared to the 2021 values. In nearly all areas we saw declines in bluebird fledges. As mentioned in the previous newsletter, some

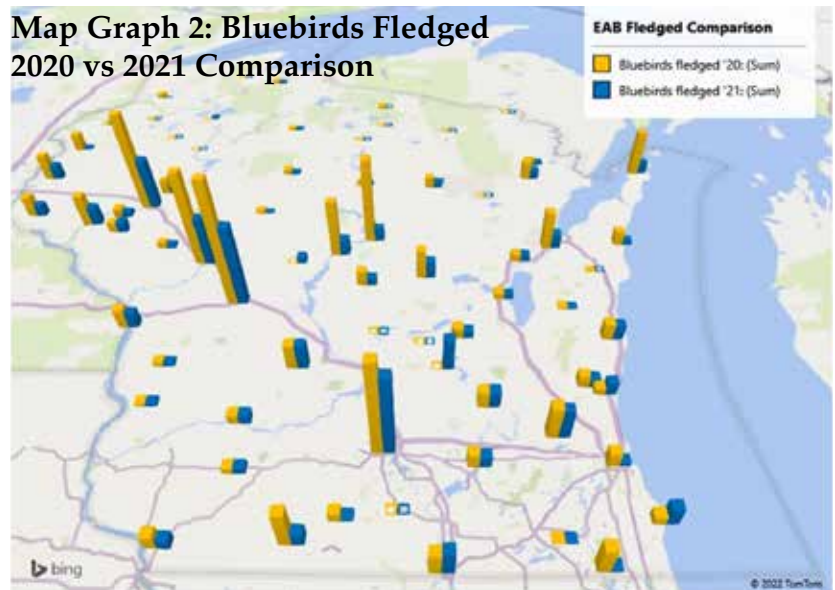


Map Graph 1: 2021 Bluebirds Fledged by County

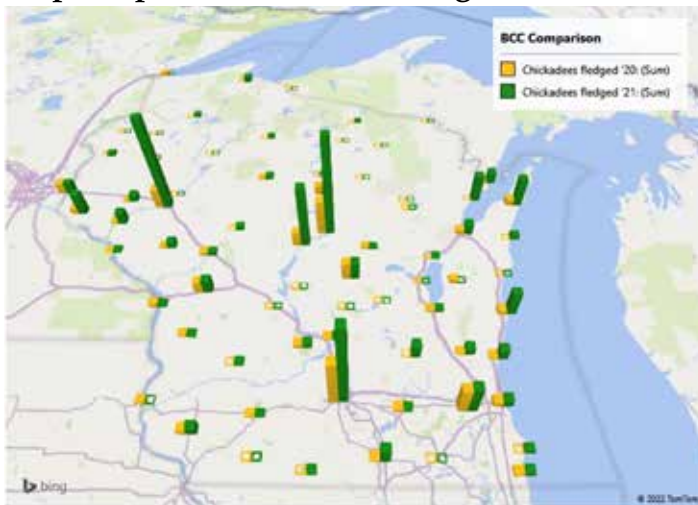
monitors reported some success later in the year, but the weather down south affected the migration and the first EAB nesting in most areas.

The success of chickadee and tree swallow competitors can be seen on the next two maps. These species took advantage of the lack of bluebirds in many nesting areas. Our chickadee numbers were 254% of the 2020 totals and tree swallows showed a 31% increase from last year. The later season nesting house wren numbers were about equal to 2020 values.

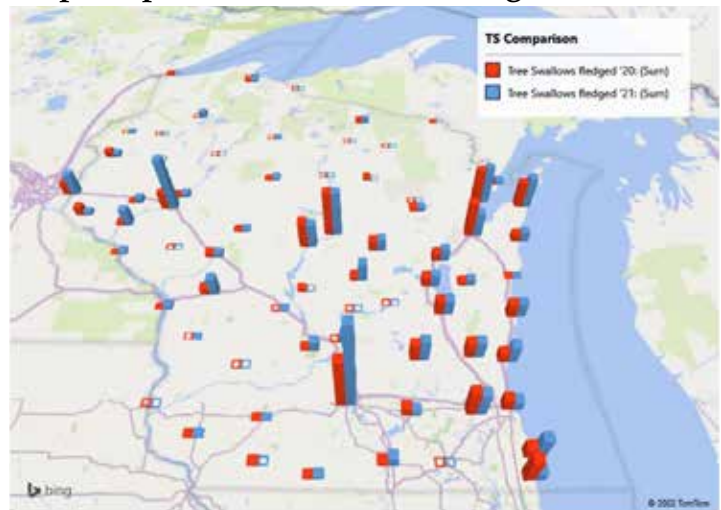
Map Graph 2: Bluebirds Fledged 2020 vs 2021 Comparison



Map Graph 3: Chickadees Fledged

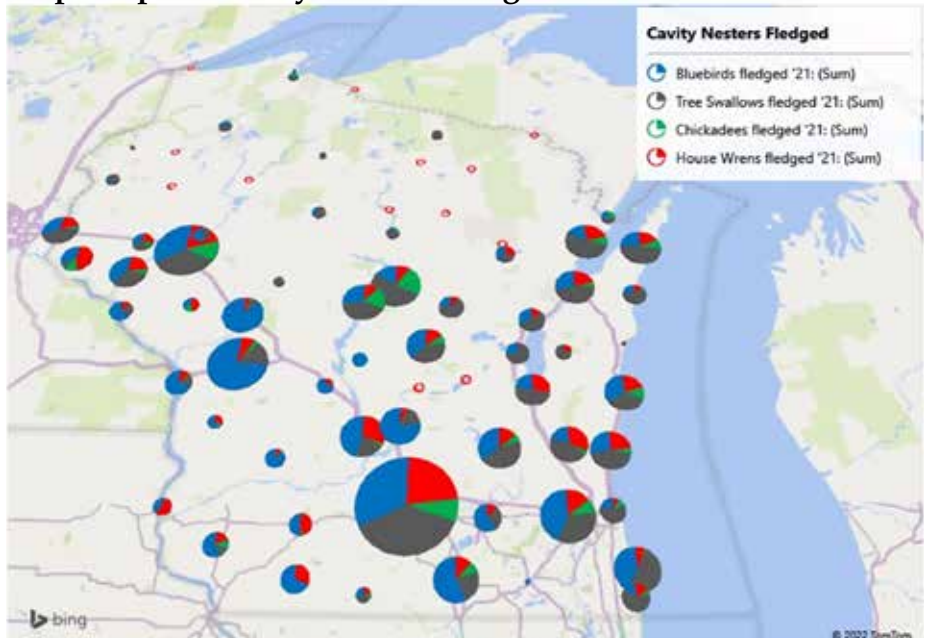


Map Graph 4: Tree Swallows Fledged



The final plot is a pie chart that indicates the relative numbers of bluebirds to the other cavity nesters that share the bluebird boxes. The total number of all cavity nesters for 2021 was around 29,700, which is about 85% of the total number of cavity nesters we had in 2020.

Map Graph 5: Cavity Nesters Fledged



It's also our custom to recognize our monitors for their hard work. We had over 330 reports from our monitors that yielded 11,677 Eastern Bluebird Fledglings. It was a tough year for the birds, and while some of the blues were not successful on our trails (including yours truly), or chose not to use our houses this year, we need to be prepared for 2022, as the birds have faced weather challenges before. In fact, our friend from the east coast saw an increase in fledge production from his houses, so fear not! Let's hope for their strong return in '22. Congratulations, monitors, on your hard work! As always, please feel free to contact me with corrections or omissions.

See the next 2 pages for monitors and data.

Name	County	EAB Fledged	Name	County	Fledged	Name	County	Fledged
Myron Byers	Adams	104	Stephen Lang	Dane	44	Rachel Urban	Eau Claire	
Carol Becker	Ashland	4	Bob and Deb Lucas	Dane	60	Mike Weber	Eau Claire	
Jennifer Kupczyk	Ashland	10	David Lucey	Dane	94	Dennis Hulbert	Florence	
Kim Long	Ashland		James Mand	Dane		Larry Johnson	Fond Du Lac	40
Bonnie Lumberg	Bayfield		Sylvia Marek	Dane	27	Steve and Karen Kinziger	Fond Du Lac	9
Barbie Allen	Brown	63	Jeanne Mawbey	Dane		Nadine Krahn	Fond Du Lac	4
Barbara Basten	Brown	13	Paul Noeldner	Dane	8	Dorothy Messner	Fond Du Lac	
Jon Beckman	Brown	15	Grace O'Connell/			Roger Villers	Fond Du Lac	21
Gerry/Della Clabots	Brown	78	John Kessler	Dane	5	Janice Wittkopp	Fond Du Lac	53
Sue Clairmont	Brown		Casey Olson	Dane	25	William Zimar	Fond Du Lac	5
Len Gracyalny	Brown	3	Kris Perlberg	Dane		Tina Bartholomew	Grant	31
Zoomie Hardtke	Brown	13	Patrick Ready	Dane	28	David & Lynne Speigle	Grant	105
Renee Heder	Brown	11	Margaret Riley	Dane	16	Kathleen Dreikosen	Green	27
John Loehlein	Brown	3	David Roberts	Dane	5	Cara Knothe	Iowa	15
Steve Mayer	Brown	43	Deb Rohde	Dane		Eugene Kroupa	Iowa	23
Sally Riemer	Brown	23	Jack Saltes	Dane	51	Brooke Lewis	Iowa	15
William Schlueter	Brown		Steve Sample	Dane	33	Gail Van Haren	Iowa	40
Warren & Julie Schultz	Brown	9	Sandy and Tom Schwab	Dane	46	Diane and Kevin Cain	Jackson	23
Stephen Zimmermann	Brown	26	Lori Sheehan	Dane	6	Larry Casper	Jackson	129
Terry Glanzman	Buffalo	5	Mary Sobol	Dane	9	Andy Chickowski	Jackson	39
Jeff Glanzman	Buffalo	153	Robert Stanley	Dane	10	Darrel Eberhardt	Jackson	408
Paul Savides	Buffalo	14	Barbara Streber	Dane		Gus Eberhardt	Jackson	
Gary Peterson	Burnett		Gail Van Haren	Dane	59	Sheryl Gilbertson	Jackson	6
Victoria Marquardt	Calumet		Valerie Van Winkle	Dane		Greg Kruger	Jackson	36
Mark Ott	Calumet		Kristine Vaughn	Dane	44	Darlene Neisner	Jackson	19
Charles Zarnoth	Calumet	4	Sheila Voss	Dane		Jane Prindle	Jackson	
Debbie Anderson	Chippewa	110	Ann E S Wick	Dane	367	Jane Prindle	Jackson	
Marilynn Slezak	Clark	5	Jack Bartholmai	Dodge	146	Bill Schapfel	Jackson	18
Mark & Susan Foote-Martin	Columbia	22	Michael Helgren	Dodge	109	Kim Schliebe	Jackson	80
Graham Steinhauer	Columbia	486	James Kronenberg	Dodge	5	Tammy Frey	Jefferson	12
Barbara Mitchell	Columbia	9	Dave Siegler	Dodge	8	Jerry Gerndt	Jefferson	40
Dennis Kirschbaum	Crawford	39	Nick Anderson	Door	13	Bonnie Hamer	Jefferson	54
Brian Nelson	Crawford	11	Susan Basten	Door	13	John and Patricia Heiden	Jefferson	54
Paula Avelleyra	Dane		Amy Dwyer	Door		Jerry Scheiber	Jefferson	16
Kathie Brock	Dane	44	Cathy Eckers	Door		Nancy Lally	Juneau	61
Bob & Gerry Bennicoff	Dane	5	Mark and Michaela Holey	Door		Stan Parsons	Juneau	27
Curt & Aryls Caslavka	Dane	52	Brenda Keys	Door	22	Maureen Kauffmann & Joyce Anderson	Kenosha	5
Mike Crawford	Dane	13	Dean Krueger	Door		John Meyer	Kenosha	24
Betty Downs	Dane	35	Charlotte Lukes	Door	59	Julie Milligan-Barr	Kenosha	13
Jeannie Druckenmiller	Dane		Wendy Lukes	Door	9	Deborah Zierk	Kenosha	
Steve Fallon	Dane		Mike and Barb Madden	Door	9	Frank Bradley	Kewaunee	3
Tim Frank	Dane	15	Sandy and Ed Miller	Door	12	Don Pritzl	Kewaunee	63
Jim Goodno	Dane	21	Glenna Peters	Door	10	Jan and Jim Brady	La Crosse	9
Jim Goodno	Dane		Ben Teich	Door	39	Verdel Dawson	La Crosse	55
Dave Gugger	Dane	4	Eric Wickstrom	Door	20	David Fonger	La Crosse	104
Pat Handrick	Dane	27	Craig Adams	Dunn	8	Dan Henderson	La Crosse	51
Patrick Hasburgh	Dane	15	Hubert Cole	Dunn		Scott Kinninger	La Crosse	12
Lynne Haynor	Dane	18	Sally & Joe Felling	Dunn		Steve Pearson	La Crosse	4
Pam Heilman	Dane	13	Terry Glanzman	Dunn	75	Mary Strasser		
Pat Hermsen	Dane		Terry Glanzman	Eau Claire	692	Colclough	La Crosse	
Marianne Jensen	Dane	10	Rita Gundry	Eau Claire	24	James Barth	Lafayette	196
Melissa Kesling	Dane	7	Mavis Hermodson	Eau Claire		Karen Koebel	Manitowoc	
Sally Keyel	Dane		Bernie Hoefgen	Eau Claire	13	Dean/Leah Haas	Marathon	
Deb Knudsen	Dane	9	Joan Hoy	Eau Claire	9	Al Lancaster	Marathon	6
Eugene Kroupa	Dane	45	Phyllis LaPine	Eau Claire	21	Claire Romanak	Marathon	8
Eugene Kroupa	Dane	9	Laurence Liegel	Eau Claire	37	Jolie Wood	Marathon	3
Walter Kugler Jr.	Dane	12	Martina Lindseth	Eau Claire	3			
			Jessica Miller	Eau Claire				
			Jim Schwartz	Eau Claire				

Name	County	Fledged	Name	County	Fledged	Name	County	Fledged
Barbie Allen	Marinette	3	Bishop	Portage	37	Lori Livingston	Taylor	18
Joanne DeVetter	Marinette	17	Sunshine Buchholz	Portage	4	Dwight Offord	Taylor	16
Jane E Meissner	Marinette		Konrad/Nancy Chojnacki	Portage	12	Pamela Resech	Taylor	4
Tony Sailer	Marinette	21	Karen Dostal	Portage	4	Steve Banicki	Trempealeau	47
Lynn Crawford	Milwaukee	3	Kent and Sue Hall	Portage	33	Thomas Erie	Vernon	
Karen Johnson	Milwaukee		Darlene Jakusz	Portage	53	Robert Tamm	Vernon	18
Barbara Kellermann	Milwaukee	18	Jean Klein	Portage	14	Annette Troshynski	Vernon	4
Jonathan Knopp	Milwaukee	9	Diana Mrozinski	Portage		Michael Everson	Vernon	32
Eric Manges	Milwaukee		Jan Ronchetto	Portage	16	Robert Butzer	Vilas	
Mark McNally	Milwaukee		Joe Schultz	Portage	9	Thomas Ganfield	Walworth	10
C Palmer	Milwaukee	23	Bill and Janice Seybold	Portage	13	Lynne and Greg Lokken	Walworth	0
Paul Stencel	Milwaukee		Jeff and Lynn Dodge	Price	5	Donna Freeman	Washington	34
Bruce and Jerrilyn Brewer	Monroe	235	Rick Fare	Racine	130	Madelynn Miezio	Washington	
Jeff & Abby Duebler	Monroe	100	Sara Fare	Racine	45	Ray Pinter	Washington	55
Warren and Janet Evens	Monroe	153	Kathy Gabriel	Racine	37	William Rumpf	Washington	2
Bessie Kmiecik	Monroe	18	Karen and Tom Gavahan	Racine	8	Lora Schreiber	Washington	10
Charles H. Lautermilch	Monroe	72	Chris Glass	Racine	16	Tim Stoffel	Washington	19
Cathy Malzacher	Monroe	170	Christopher Jamieson	Racine	0	Amy Bachman	Waukesha	59
Don Nelson	Monroe	19	Dennis and Heather Jensen	Racine	17	Randy Cooper	Waukesha	19
Gretchen Reis	Monroe		Judi McFarland	Racine		Jon Frohling	Waukesha	40
Gordon Weber	Monroe	294	Alan Orban	Racine	20	Jerry Gerndt	Waukesha	10
Gordon Weber	Monroe	57	LeAnn Strasser	Racine	5	John and Patricia Heiden	Waukesha	14
Cheri Greenwood	Monroe	135	Jennifer and David Wenzel	Racine	23	Don and Debbie Herrick	Waukesha	113
Jo Ann Altergott	Oconto	14	Paul Klawiter	Richland	111	Mark Kastner	Waukesha	26
Virginia Behrend	Oconto		Debbie Pavick	Richland	26	Shari Kastner	Waukesha	9
Gene Birr	Oconto	73	Rodney Courtier	Rock	14	Shari Kastner	Waukesha	27
Randy Cooper	Oconto	7	Rodney Courtier	Rock	141	Shari Kastner	Waukesha	51
Don Denor	Oconto	8	Steve Fallon	Rock	5	Ilene and Paul Kronschnabel	Waukesha	19
Don Denor	Oconto		William Fruin Jr	Rock	54	Mike Mikos	Waukesha	5
Jerry Gerndt	Oconto	44	Michael Johnson	Rock	29	Anne Moretti	Waukesha	14
Steve Heimerman	Oconto	4	Ken & Signe Onsrud	Rock	160	Steven Nickels	Waukesha	9
Kevin + Denise Judy	Oconto		Cindy & Jim Schwisow	Rock	5	Robert Tamm	Waukesha	56
Kristen Laufenberg	Oconto		Susan Kenney	Sauk	26	David Thornton	Waukesha	9
David Retzlaff	Oconto	6	Eugene Kroupa	Sauk	13	Steve Vidmar	Waukesha	9
Robert Senner	Oconto	5	Michael Lasceski	Sauk		Alice Chaney	Waupaca	69
Cordula VanDenHeuvel	Oconto		Laurence Liegel	Sauk	83	Mary Naylor	Waupaca	3
Wendy Bekx	Outagamie	16	Bruce and Ruth Marion	Sauk	114	Elizabeth Nies	Waupaca	
Adam Brandt	Outagamie	29	Renee Pierce	Sauk	8	Daniel Schultz	Waupaca	4
Steve Mayer	Outagamie	53	Sharon Stark	Sauk	13	Cathy Daus	Waushara	10
Erin Miller	Outagamie	14	Bill and Donna Stehling	Sauk	131	Bob Fox	Waushara	240
Molly Ticcioni	Ozaukee	3	Diane Chambers	Sawyer	25	Len Place	Waushara	24
Richard Albert	Ozaukee		Ruthann Meiers	Shawano	84	Michelle Bogden	Winnebago	
Richard Albert	Ozaukee	32	Lee Curtiss	Sheboygan	66	Muetzel	Winnebago	
Richard Albert	Ozaukee	32	Ellen Klusmeier	Sheboygan	16	David/Christine Misterek	Winnebago	63
Nick Gall	Ozaukee	32	Janet Raddatz	Sheboygan	48	Barb Stanek	Winnebago	9
Ellen Lafouge	Ozaukee	96	Sara Sonntag	Sheboygan	10	Tom and Gayle Bartelt	Wood	84
Connie Anderson	Pepin	28	Therese Wilk	Sheboygan	96	Mary Dahm	Wood	13
Terry Glanzman	Pepin	270	Jim and Dorothy Beix	St. Croix	42	Karen Haralson	Wood	19
Jim and Dorothy Beix	Pierce	58	Lowell Peterson	St. Croix	53	Kim Marshall	Wood	29
Carol Forsythe	Pierce	23	Pat & Steve Cox	St. Croix	5	Mike Moran	Wood	18
John Hanson	Pierce	17	Kathy Fredrickson	St. Croix	6	Tom/Amy Reitz	Wood	56
Jim Higgins	Pierce	9	Jim Higgins	St. Croix	47	Ruby Thomas	Wood	35
Pauline Jauquet	Pierce	38	Julie Irwin	St. Croix	9			
Ernie Schultz	Pierce	36	Stanley King	St. Croix	11			
Rodger Meyer	Polk	36	Mark Ritzinger	St. Croix	5			
David/Patti Becker	Portage	12	Debby Walters	St. Croix	5			
Lisa Bey	Portage		Jim Wolf	St. Croix	50			
Woody and Madge								
							Sum	11,677
						John Clendining*	New Jersey	1465

County Coordinator News

Gene Birr, CC Chair

After experiencing a long and very cold winter I am sure each of us is longing for the longer and warmer days of spring which will soon be welcoming the return of our beloved bluebirds. As we look forward to that I am sure we are all hopeful that this new season will be far better for bluebirds than 2021, which for many of us was the worst year ever in recording successful bluebird fledgling numbers. Generally, only about half as many bluebirds were produced in our monitored boxes last year as were recorded in 2020.

On the other hand some of the following reports contain some good news about a few of last year's trails, and the reported upcoming talks and presentations planned for this spring show that there is still a groundswell of interest in providing outreach and information to others. This knowledge then can be used to motivate still others to provide nest boxes and bluebird trails, which are what are most needed for the recovery of higher numbers of bluebirds.

Dane County, Patrick Ready

Like many monitors I did not have a great season last year. But I have heard from a few trail bosses in Dane Co. that did pretty well. Sylvia Merek reports her 30+ year trail at the UW Arboretum in Madison was normal for bluebirds fledged. Dave Lucy near Cross Plains said he actually had an improvement in bluebirds fledged. So that is encouraging news and a sign things will pick up sooner than later, I hope. I heard that Ann Wick down by Black Earth had fewer bluebirds on her 200+ box trail. We can only hope this year will be better.

I was down in Grant County this week (mid-January) looking for Golden Eagles and other raptors that winter there when I spotted a flock of bluebirds along a back country road. I drove up slowly and they flew along the roadside trees. I counted 10 bright blue-backed birds as the sun hit them. All were males. I didn't see any females but they could have been in

the trees hidden. I'm always amazed when I see a flock in mid-winter. Some must be hardier than others.

Last fall when things were looking good on the COVID front I booked a program with the Blue Mounds Area Project in Mount Horeb for late January. Then in December they contacted me about doing it as a ZOOM presentation. No public event. I agreed. After dealing with some technical issues I was able to present Attracting Eastern Bluebirds & Other Cavity Nesters. I believe there were over 45 people logged onto the meeting. At the end the Q&A was cut short because my computer froze up. Oh well, these are the trying times we live in today!

Hopefully things will get better and BRAW will be able to have an in-person convention again. I know the board of directors has been discussing it. Until then stay well!

Washington County and Ozaukee Counties, Mary Holleback

Thanks for the info regarding the initiatives being considered by the board. I think the *Nest in Peace* idea is clever but the drawback is that unless there are people willing to monitor the boxes in the cemeteries they're just going to become sparrow houses. Recruiting and retaining folks to monitor boxes has been a huge problem over the years. People are willing to check on boxes on their own land but not as willing or able to check on boxes on golf courses, roadsides, cemeteries, etc.

Labeling boxes on public land is a good idea. To accomplish this county coordinators would need a contact list for present and past BRAW members in order to determine where their boxes are located.

Not much to report from the 2021 bluebird season but we have a workshop coming up on March 12th. See the attachment for details.

Happy Birding!

Attracting Bluebirds & Other Cavity Nesters

Saturday, March 12, 1:00 -2:30 PM

Bird migration is considered by many to be one of nature's most awe-inspiring mysteries. Many spring migrants will soon be returning to our area looking for housing. Join us to learn

how to attract a wide variety of cavity-nesting birds to your yard. We will discuss the pros and cons of different nest box styles and cover the basics of where to place them and how to maintain them. This workshop is meant for amateur and experienced bird lovers. Near the end of the program we'll take a short walk on the bluebird trail to see how boxes should be mounted and placed, so dress for the weather. Sponsored by Riveredge Nature Center. Register at Riveredge #262-375-2715 or riveredgenaturecenter.org. Fee: Free for Riveredge members, non-members \$5.00

Iowa County, Dale & Doris Moody

Doris and I were asked to put on a presentation on "Basics of Bluebirding" at a field day of the Wisconsin Walnut Council on May 22, 2021. This event was hosted by Dick Powell at his property near House on the Rock in Iowa Co. between Dodgeville and Spring Green. There were approximately 80 plus people in attendance at this primarily outdoor event. We use pictures from bluebird resource literature on tag board for stand-up exhibits to use as visual aids as electronic devices typically do not show up clearly in bright areas. We take BB houses, posts, and predator protection to use as additional visual aids and have handout sheets with the basics on them plus some house plans. We had lots of good questions. We were able to sign up 8 new PAID members.

As with many of you, our trails in both Iowa Co and La Fayette Co were not as productive as previous years--but we are optimistic that productivity will be improving in 2022!

Kenosha and Racine Counties, Stan Rosensteil

After a relatively quiet 2021, things are picking up this year. Rick Fare plans on holding 2 Bluebird workshops this Spring at Gateway Technical College in Kenosha. He'll be training new people at the 4-H group BB trail in Sanders Park in Racine and the BB trail in the Woodland Waters Conservation subdivision. Both trails were installed last year. Each box in the Woodland subdivision was adopted by a family living there. Each



As many of our nest boxes are located on golf courses, schools, roadsides and other public places it seems fitting that our efforts could be enhanced if our website and monitors' information were placed on each box, so anyone having an interest in bluebirds or our mission could reach out to us for information.

If you have an idea or opinion on any of these subjects, please share them or your experiences with any BRAW Director or include it with your CC report so I can include it in our next newsletter.

Rock County, Rod Courtier

I think the name tags are a good idea. I have had houses disappear from along roads. It might let people know that they are tended by someone.

The 3 pictures here were sent to me by Ron Risum from Brodhead. He has had 12 BBs staying all winter.

Walworth County, John Scholtz

I've been asked by the local Audubon society to give a presentation on bluebirds in a couple months. Do you have any materials/literature or ideas on presentations that could help me? I've been meaning to create a PowerPoint presentation for many years now but I don't have good pictures of blues that I've taken. I've tried but don't have a nice camera to get good pictures. Also I'm not as much of an expert as some of you so I'm not sure how good of a presenter I'll be. Thank you for any assistance or guidance you can give me.

CC Chair note:

Our BRAW website, www.braw.org offers materials and answers to many bluebird questions.

Copies of our 8 page Information Packet are available by contacting Membership Chair, Valerie Van Winkle at ripvws@gmail.com I also often refer interested monitors with questions like this to the North American Bluebird Society, and their website, nabluebirdssociety.org There you can find fact sheets on every bluebird topic that can be downloaded for free, then copied and handed out at any bluebird talk. They also have an excellent bluebird



can learn the role of being a monitor.

Oconto County, Gene Birr

My recent move to a new location back on my family's home farm resulted in me being extremely preoccupied with other things which included changing internet service, that delayed reaching out to each of you until now. In the process, I may have misplaced a letter or email you sent me and was unable to get back to you, for which I apologize. Please consider your interest in 2 new programs that the BRAW Board is involved in:

Director Gene Kroupa is promoting a Nest in Peace program, urging us to contact all cemeteries in our counties in the hope of establishing bluebird trails there, as the Beyers have done in Waupaca County. Many of us have trails on cemeteries already, I am sure, but please consider contacting personnel or board members at any other cemetery that may have an interest in a trail.

The Carol McDaniel Legacy Fund is now providing boxes with metal nameplates for some new monitors and trails, in her honor. Recently, Sheboygan CC Lee Curtis has suggested to me the need for a BRAW label or nameplate that could be provided and installed on any box being monitored by a BRAW monitor.



one was artistically decorated on the outside. They really were enthusiastic about this. Rick will be leading a field trip at the Seno Center NA in Racine for the Natural Resources Foundation of WI. He will be giving a bluebird talk and then taking the participants on the bluebird trail there, so they

(continued from page 7)

PowerPoint on a DVD that can be purchased from them for \$10.00. I most often use these resources myself, and recommend them to anyone interested in bluebirds.

Dodge County, Jack Bartholmai

This is being sent as a notice to you and BRAW of my intention to retire as of February 28th, 2022, as Dodge County Coordinator. I don't have much to report over the last two years other than the nest boxes I have monitored and recorded. I plan on continuing to run my Bluebird trails and will be looking for others in the area to take them over in the near future.

CC Chair note:

Thanks for letting me know. So sorry to hear you are giving up your position as CC. We appreciate all that you have done for many years for bluebirds and BRAW.

We'll get the word out to be looking for a new coordinator for Dodge County. If you know someone who may be interested let me know.

Brown & Outagamie Counties, Steve Mayer

Last year's monitoring results across both counties proved to be mixed. The roadside trails in Outagamie County

had very poor results with only .95 bluebirds fledged per nest box compared to 3.5 in 2020. Crystal Springs Golf Course, also in Outagamie County was at 1.5 fledged per box in 2021 compared to 2.04 in 2020. Brown County had a bright spot in Four Seasons Park which had a fledged rate of 3.4 in both 2020 and 2021. The Georgia Pacific Landfill trail dropped from 3.6 fledged per box in 2020 to 1.4 in 2021.

The theory is that the ice storms that occurred down south last winter had a devastating effect on the Bluebirds that migrated south. In the case of the Four Seasons Park Trail which had consistent results, the theory is, it is located in an area that has more overwintering Bluebirds.

This late fall I took the opportunity to walk the Crystal Springs Golf Course trail in order to do some trail maintenance. (The golf carts were already put away for the season). With everything going on around us, it was refreshing to walk the golf course which provided a sense of peace, tranquility and a feeling of normality. I did trail maintenance on my other trails as well so they would be ready for the return of Bluebirds in the spring.

None of us can control the weather but we can provide nest boxes in suit-

able locations so the Bluebirds can reproduce. A reminder about existing trails: If your trail has been around for a period of years, please audit it to see if the trees and brush have grown up to the point the boxes are still in a suitable location. Some nest boxes may have to be moved to more open areas or some brush cut back to discourage wrens from using them. If anyone would like help in starting a trail or want some help walking an existing trail in order to evaluate its condition please feel free to contact me. An email to mayersj511@aol.com is the preferred way to contact me.

Thanks everyone for the effort to help promote our Bluebirds.

Looking for information
on Attracting
Eastern Bluebirds
and other
native cavity nesters?



Check out
our website:
BRAW.org

BRAW Honors Outstanding Members and Contributors

By Gene Kroupa, Director

At the end of the year BRAW pauses to acknowledge the contributions of members and citizens who have made special efforts on behalf of bluebirds and the organization.

"Once again we had to send out the award plaques for 2021 rather than present them at a fall convention," said president Steve Sample. "Hopefully we will be able to gather as a group this year, but one way or the other we will honor worthy individuals."

Rod Courtier Receives Bluebirder of the Year Award

Rod Courtier, of Evansville, was recognized for assisting members of the public who want to put up and monitor bluebird nest boxes by holding classes and giving individual help. He



manages several bluebird trails with a total of 75 nest boxes.

A lifetime member of Pheasants Forever, Courtier was chairperson of the Save Our Lake Environment group which completed restoration of Lake Leota in Evansville.

His interest in birds began in grade school. "As a member of a local Audubon Bird Club, we learned about different birds. Our reward was a bird book if we could find and identify 50 different birds," he recalled.

To help birds, Courtier suggests focusing on habitat. "Various bird species have different habitat requirements for survival. Some need dead trees with cavities for nesting, like woodpeckers, owls, bluebirds, chickadees and tree swallows, while others require grasslands," he noted.

In accepting his award, Courtier said he planned to continue advocating for birds and all wildlife. "I think we need to get more young people involved," he added. "I am so proud of my bluebird houses and the success I have had with the guidance of BRAW."



Patrick Durkin Receives Communicator of the Year Award

Patrick Durkin, of Eau Claire, was cited for informing the public about the need to conserve, restore and manage habitat for all forms of wild-life. He is a full-time writer and columnist.

In reflecting on his contributions, Durkin noted: "I hope my work today helps pay off in the years ahead so that my children and future generations can enjoy and appreciate the benefits of scientific habitat and wild-life management."

A longtime member of the Wisconsin Society for Ornithology, The Wildlife Society, and other conservation organizations, Durkin's columns and articles appear in newspapers throughout the state. He is currently president of the Wisconsin Outdoor Communicators Association.

Durkin's interest in birds began as a child when watching his maternal grandmother both enjoy and battle the same birds that raided their family's strawberry patch.

To help birds now and in the future, Durkin suggests: "Learn about birds' varying habitat needs, and do more to enhance and manage habitat for the benefit of multiple species, including insects."

Andy Garcia-Rivera Receives Outstanding Achievement Award

Andy Garcia-Rivera, of Madison, was recognized for completely revamping the BRAW website: braw.org. According to president Steve Sample, "Andy has done an incredible job recreating, refreshing and making the website more user friendly."



Now retired, Andy said his interest in birds started on his grandfather's farm in Cuba. "As a youngster, I marveled at all they could do," he said.

"Going on field trips with Cub and Boy Scouts motivated me to learn more about birds," he added. "Then as an undergrad and graduate student in the US, I went on to appreciate zoology, environmental issues, and the importance of protecting species in need and their habitat."

Andy became involved with helping birds by becoming the Environmental Conservation Chair for the local Audubon Society Chapter in Oxford, OH, as well as participating in the Christmas bird counts, and participating in the Cornell Lab of Ornithology outings. "As a side benefit, I became interested in photography which dovetailed with my love for birding," Andy noted.

"Humankind needs to protect existing habitats and develop new ones. BRAW is a good example of helping Eastern Bluebirds and other cavity nesters through education, research and putting up nest boxes," he added.

Liz Herzmann Receives Educator of the Year Award

Liz Herzmann, of Horicon, is the senior natural resources educator for the DNR at the Horicon Marsh Education and Visitor Center. And she served as a Dodge County coordinator for the most recent Breeding Bird Atlas.

Herzmann was recognized for informing and educating the public about cavity nesters, including bluebirds, through the workshops and tours she conducts at the center. The



center has over 40 nest boxes on its grounds.

A member of the Horicon Bird Club, Wisconsin Society for Ornithology, Wisconsin Association of Environmental Education, and Friends of Horicon Marsh, Herzmann is involved with the annual Horicon Marsh Bird Festival, Nest Box Seminar, owl trips, guided birding hikes/paddles, virtual programs and working with school students who visit annually.

Her interest in birds began in earnest when she and her husband bought their first home and installed a bluebird nest box. "When a pair of bluebirds decided to make our house their home, we were hooked!" she said. "Those were 'our' birds that we watched with voracity year after year."

To help birds, Herzmann suggests starting with small steps: "Install a nest box, put up a bird feeding station, buy a waterfowl stamp or get a youngster interested in birding. We all must start somewhere."

In accepting her award, Herzmann noted the support she has received from her DNR mentors who "took me under their wing and inspired a love of birds and desire to help them." And she added: "I have learned so much from BRAW."

Kris Perlberg Receives Outstanding Project Facilitator Award

Kris Perlberg, of Stoughton, is principal and senior designer for the graphics firm Firepower Design. According to president Steve Sample, "Kris designed the logo and print ads for BRAW's 35th anniversary celebration

(continued on page 10)



and Trail Builder promotion.”

Perlberg is also a member of the Madison Audubon Society, Cornell Lab of Ornithology and the Natural resources Foundation of Wisconsin. She is a former Board of Directors member for BRAW.

“I am passionate about all birds,” said Perlberg. Growing up in northern Wisconsin, she recalls “being thrilled by the Great Blue Heron Rookery located high in the Cathedral Pines of the Chequamegon-Nicolet National Forest.”

In Stoughton, Kris maintains and monitors a trail of bluebird nest boxes in one of the city parks. “Seeing the life cycle of bluebirds up close with its triumphs and tragedies is a wonderful experience. Once you do it, you’ll be hooked,” she noted.

She fondly recalls visits to her grandfather’s home and viewing bird prints on the walls and his collection of duck stamps. “He was a member of Ducks Unlimited and bought the federal waterfowl stamps even though he wasn’t a hunter.”

To help birds, Perlberg said: “We can do little things, like limiting the use of pesticides on our lawns, planting native species that support insects, birds and mammals, not cutting down dead trees and putting up nest boxes.”

In accepting her award, Perlberg suggested that: “everyone get involved with a conservation effort in an area that interests you.”

Mary Sobol Receives Outstanding Project Facilitator Award

Mary Sobol, of McFarland, was cited for her tremendous effort in shipping out over 200 nest boxes in support of

BRAW’s Trail Builder Program.

According to President Steve Sample, “Without Mary’s energetic effort in fulfilling requests from new members, we never could have achieved the success we did with the promotion.”

Early influences on Mary’s dedication to birds included: “Her grandfather, Jacques Cousteau on TV, wildlife ecology classes with Dr. Joseph Hickey, and botany classes and field trips with Dr. Hugh Litis.” Books by Aldo Leopold, W.O. Wilson, Bernd Heinrich and Rachel Carson added to her knowledge and concern for the environment.

For now and looking to the future, Mary “strongly supports the 30x30 Project to protect 30% of the earth from development by 2030 as part of the “A Global Deal for Nature.”

On a local level, she supports land acquisitions and wildlife rehabilitation through her donation of dollars and time. Personally, Mary and her family have replaced most of their lawn with native plants, collect rainwater in barrels, compost and support farmers through CSA. “I’ll continue to do what I can to support the bluebird population of Wisconsin,” she added.

Val Van Winkle Receives Outstanding Project Facilitator Award

Val Van Winkle, of Madison, is chair of our Membership Committee. “Without Val’s dedication, BRAW could not have seen both growth and retention of membership over the last three years,” said President Steve Sample.

She describes herself as “being more of a ‘bird watcher’ than a ‘bird’er’ who

has learned to enjoy observing birds in my retirement years.”

Val notes that both “her grandfather and father were involved with making bluebird houses and encouraging nest box trails.” Val and her husband monitored a bluebird trail for the Lake County Forest Preserve in Illinois before moving to Madison.

“The next generation needs to learn how to become leaders in conservation and protecting habitats that allow our wildlife to thrive,” Val concludes. “Anything we can do to support those who do the teaching or protect the environment is important no matter how small the task.”

Thank you again to all of the award recipients for your great work. If you are aware of someone whom you think should be recognized, please let us know by contacting a BRAW officer or sending an email to: info@braw.org.

BRAW & Amazon Smile!

Amazon has developed a way to support non-profit organizations such as BRAW. If you use Amazon, log into “https://smile.amazon.com” instead of amazon.com. You will need to select BRAW as your intended organization that you support by typing Bluebird Restoration Association of Wisconsin in the appropriate line. ALL ORDERS USING THIS LOGIN WILL GENERATE A PORTION OF YOUR PURCHASE TO BRAW! The products purchased will cost you the very same as if you just log into their standard site. However, BRAW will receive 0.5% of your total purchase. It is easy and you will be supporting us without any additional cost to you.

Cram Family Supports BRAW's Work

By Gene Kroupa, Director

Harold Ramon "Ray" Cram was a long-time champion of bluebirds in our state who passed away in 2016. At our December Board of Directors meeting, his daughter, Catherine Cram, presented BRAW with a check for \$2,000 to support its work in honor of her father.

In recalling her father's devotion to bluebirds, Catherine said: "Dad had many bluebird boxes throughout Monroe county and spent time monitoring and cleaning them throughout the year."

"Much to my mom's chagrin, he would often raid the mealworm feed my mom had for her chickens to supply to his nesting bluebirds."

After retirement, he started his wood-working hobby and made his own bluebird boxes, as well as those



he distributed to friends and family, fostering a love of bluebirds that continues for many of them who received those boxes.

Ramon loved all birds (except the House Sparrows that he battled to keep out of his bluebird boxes) and, even into his 80's, could spot birds well before anyone else could see them.

"He was an enthusiastic birder who kept his 'life list' for 30 years in his treasured journal. There's nothing that would please him more than to know that his love of these birds lives on in the work that BRAW does to increase bluebird populations."

Catherine said she hoped to make a similar annual gift to BRAW from a legacy fund administered by the Natural Resources Foundation for the family. In accepting the check, president Steve Sample thanked her with the promise to spend the money wisely.

This year those funds will be used to support Ripon College directed research about the use of skylight nest boxes to discourage House Sparrow competition and usurpation of bluebird nests.

As with all large donations, BRAW has set up a separate Harold Ramon Cram Bluebird Restoration account to track use of the funds. Thank you Cram Family for helping bluebirds.

Spare the Snag for Blues

By Gene Kroupa

It was a sad day when the power company cut down a cavity-riddled, rotten hemlock tree trunk on our property line. "Might fall and leave you without electricity" was the reason the workmen gave for doing it.

Understandable, but that old snag had been the nesting site for a pair of Red-Bellied woodpeckers and countless Black-Capped Chickadees and Nuthatches. For many years we were able to watch these cavity nesters fledge youngsters that would entertain us with their daily antics.

Most dying trees start out by hosting insects, some of which might have caused the live tree's demise. But bark beetles and wood borers, as well as ants and termites, are also a good food source for both adult and fledgling birds.

Woodpeckers of all sizes and stripes are the masters at harvesting sustenance from bark and wood. But it's their skill and persistence in creating cavities large enough for nesting that deserve our thanks.

As the years pass and weather takes its toll, dead trees will lose their bark and drop limbs. The trunk wood



Bluebird fledglings getting ready to leave nest in snag. (Joshua J. Cotten)

softens as the rotting process occurs and it becomes easier for the Downey, Yellow-Bellied Sapsucker, Northern Flicker, Red-Headed and Pileated woodpeckers to whittle out holes. Later, Eastern Bluebirds can become the beneficiaries of their handiwork.

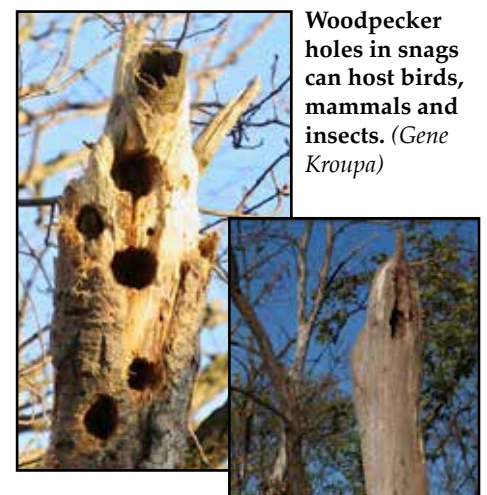
One spring while checking a trail near a woods, I witnessed a half-dozen bluebirds buzzing around a dead tree with numerous cavities. By a week later a bluebird pair had set-up shop in one of those holes, while the others had moved into my nearby nest boxes.

The landowner had made a conscious decision not to cut down the weathered old snag. For years it had been shedding limbs that regularly needed to be cleared off the adjoining CRP field. However, she was willing to deal

with them to help out wildlife.

Some landowners want to save work and trouble by preventing deadfalls on their fields. Others see an easy source of dry firewood for their wood burners or fireplaces.

Our task as advocates for all native cavity nesters is to educate and try to convince them of the greater value derived from caring about and not cutting down dead trees. And once landowners witness bluebirds occupying those woodpecker holes with hungry fledglings, they will spare that snag.



Woodpecker holes in snags can host birds, mammals and insects. (Gene Kroupa)

Dead trees should be spared the chainsaw in favor of wildlife. (Gene Kroupa)

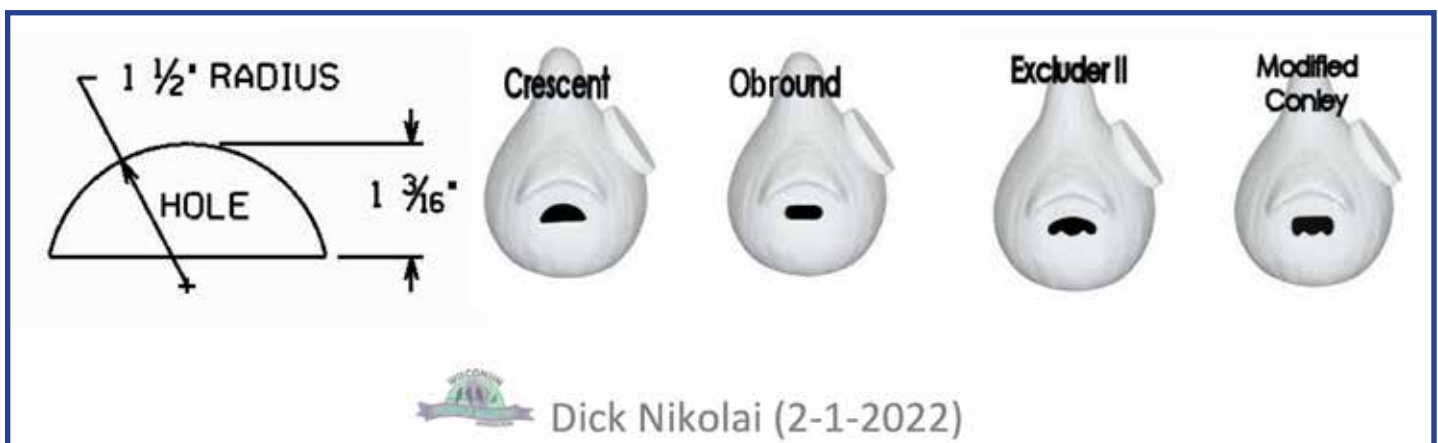
Guidelines for Properly Constructed and Installed Martin Houses

Purple Martin houses are generally large structures that can be complicated to build. Modern commercially built houses are available from several sources. Most incorporate the necessary features to provide purple martins with a safe place to raise their young including being lowered vertically. Be wary of cheap housing in general. Some housing using plastic components break down or cause failure for operation of opening cavities or keeping the house together. Always have methods to monitor the house or cavity at least weekly, preferably every three days during the nesting season. This will eliminate the competition and provide you with many hours of enjoyment and not of frustration. Important features are listed below:



Pitt Ready

1. Martin's nest in open areas including backyards, meadows, fields, farmland, near ponds and lakes. Martins especially like human inhabited residences nearby not to exceed 120 feet. The house should be placed in the center of a large opening at least 30-40 feet or more from large trees or buildings. Existing colonies are tolerable to being enclosed under 40 feet by the elements but may lose interest if better housing is located nearby. Always maintain open areas for proper flight and maneuverability for the martins. Larger areas of openings are always best, especially when trees are taller than your house placement height!
2. Nesting compartments should be at least 6" X 6" X 6" or larger and separated by partitions. Preference of cavities 6" X (8", 9" or 12") is made to ensure greater hatching and survival. On larger compartments, install the entrance to one side. This aids in the prevention of owl predation. Each compartment should have a minimum of a 2" entrance hole not exceeding 2 1/2" positioned 1 1/2" above the floor. Starling Resistant Entrance Holes (SREH) are utilized to prevent starlings from entering cavities shaped liked crescents, slots and bird shapes (see picture below). Note that "resistant," means some starlings may be able to enter. Exact size or shaped dimensions need to be implemented if hand made. Houses with railings assist to prevent young from falling. Gourds utilized must have at least 8" diameter at their widest point.
3. Houses should have capabilities of being ventilated and be painted a light color. White is preferred to reflect the sunrays in the summer. It is also the most often chosen color through conducted research.
4. Houses should be placed on poles 12-20 feet above the ground being able to withstand winds up to 90+ mph.
5. Houses should be easily lowered vertically for cleaning and monitoring with access openings for each cavity.
6. A predator guard is recommended below the housing to prevent climbing predators like cats, snakes and raccoons from raiding the colony. It should have a diameter of 8+ inches and be from 3-7 feet off the ground.
7. Never allow other species to occupy martin houses or gourds. This especially, includes English sparrows and European Starlings. Once present they will only cause future harm or death of martins or prevent martins from establishing.
8. It is advisable to place porch dividers to separate each cavity if they are connected. This safeguards males from dominating the whole floor or side of a house. Additionally, this acts as a blockage for older young martins to travel to other cavities for food.



Dick Nikolai (2-1-2022)

NABS style Bluebird Box

Cedar, 7/8" lumber preferred.

8" wide for top

6" wide for back, front, sides & bottom

All angle cuts are 10 degrees

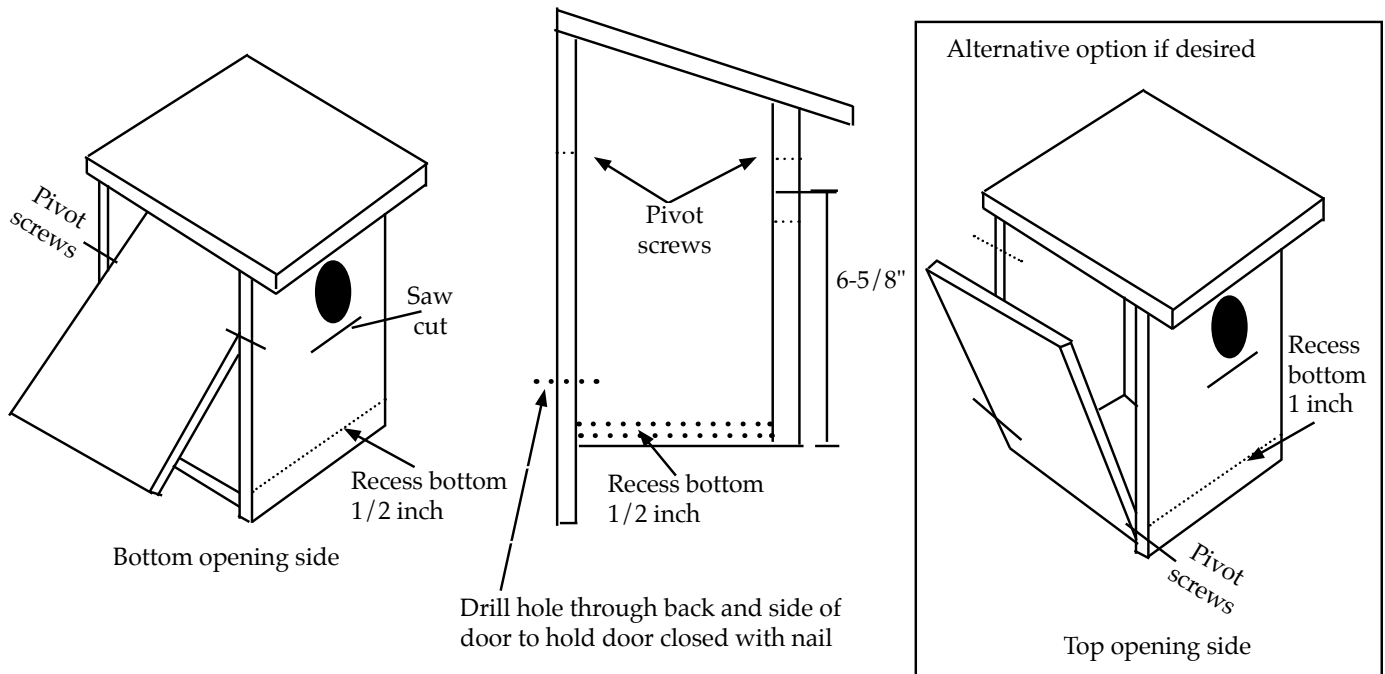
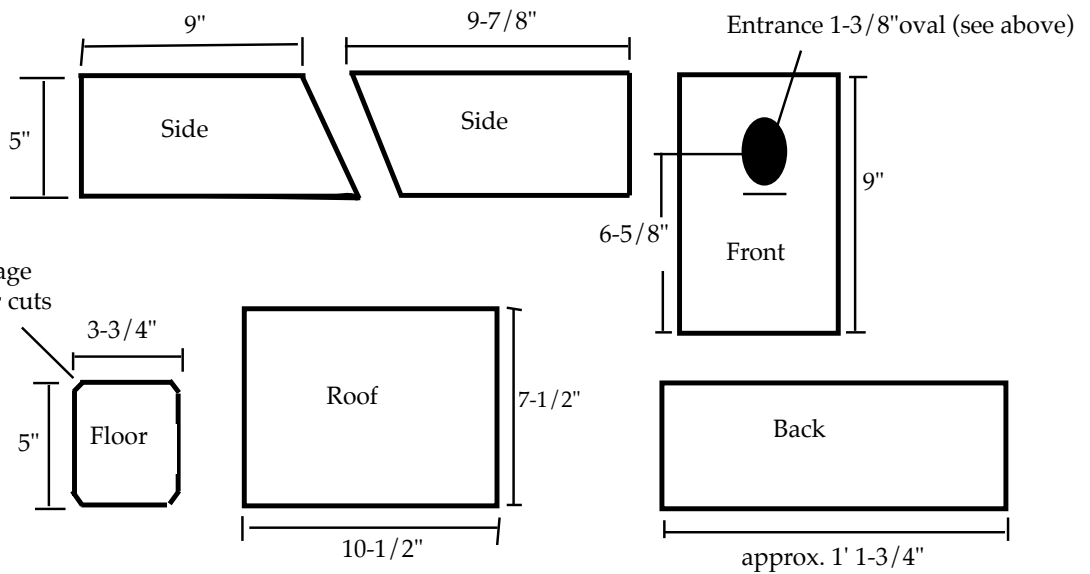
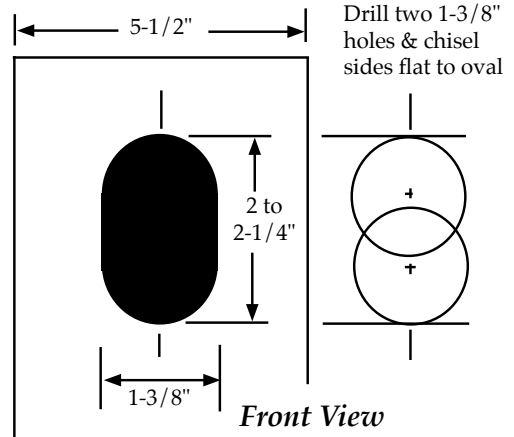
Roof is 7-1/2" wide x 10-1/2" long

Sides 9-7/8" long x 5" wide

Floor is 5" x 3-3/4"

Back & front 5-1/2" wide

Recommended Oval Hole Plan



Membership Renewal Information

By Valerie Van Winkle, Membership Services

If the address label of your *Wisconsin Bluebird* newsletter reads Spring 2022 next to your name, then your membership expires this month and you need to renew immediately. If you are an online member, you won't see this clue so please consider marking the expiration date on your calendar when you sign up. We don't want you to miss a single newsletter!

The next issue of the *Wisconsin Bluebird* goes into production in May and will be mailed in June. Memberships received after May 15 may not be processed in time to receive the Summer newsletter. Consider an extended or one-time \$300 Life Membership.

Please fill out the membership renewal form on this page and send it with your check or money order to: **BRAW, Inc., Valerie Van Winkle, PO Box 628492, Middleton, WI 53562**

You can also renew your membership at www.braw.org and use PayPal or a credit card.

BRAW, Inc. Membership and Wisconsin Bluebird Subscription

Yes! I would like to join or renew as a member with the Bluebird Restoration Association of Wisconsin, Inc. (BRAW) and receive its quarterly newsletter *Wisconsin Bluebird*. Enclosed is my check/money order (do not send cash) made out to BRAW, Inc. for the following:

- \$10 Gift Annual Membership (Online subscription)
- \$15 Student/Teacher Annual Membership (Online subscription)
- \$20 Online Annual Membership
- \$40 Extended Online Annual Membership for 2 years
- \$60 Extended Online Annual Membership for 3 years
- \$25 Individual or Family Annual Membership (Printed copy mailed)
- \$75 Extended Individual or Family Annual Membership for 3 years (Printed copy mailed)
- \$100 Corporate Annual Membership
- \$300 Life Membership

Name: _____

Address: _____

City: _____

State: _____ Zip Code: _____

*Email Address: _____

Telephone: () _____

County of residence: _____

*BRAW sends out nest box deal promotions and "time to renew" reminders via email.

Donation (optional)

\$15 to nest box construction/post & predator guard

\$100 for nest box trail

\$_____ for bluebird research

In addition to my membership contribution, I wish to contribute: \$_____

(Contributions to BRAW are tax deductible.)

Check appropriate boxes:

This is a renewal

This is a new membership

This is a GIFT membership

Enclosed please find my check \$ _____

Mail this membership request to:

BRAW, Inc.
Valerie Van Winkle
PO Box 628492
Middleton, WI 53562

We do not share or sell BRAW's membership list. If you have any questions, please contact Valerie at 847-302-5684 or ripvws@gmail.com.

A BRAW membership makes a great Anytime gift!

\$10 includes Online Newsletter
Give the gift of Bluebirds!

BRAW ELECTED & APPOINTED OFFICERS

President Steve Sample, 422 Shepard Ter., Madison, WI 53705 • 708/606-8070 • ssample@gmail.com (term to 12/22)

Secretary Gene Kroupa, 1010 Tumalo Trail, Madison, WI 53711 • gkroupa@tds.net (term to 12/22)

Treasurer Dan Schroeder, N4028 Morgan Drive, Waupaca, WI 54981 • 920-475-8525 • brdanjoe@gmail.com (term to 12/22)

Director Steve Fallon, 974 Halcyon Days Ct., Oregon, WI 53575 • stevfall50@gmail.com (term to 12/21)

Director Dave Lucey, Cross Plains, WI • 53528 • dklucey@chorus.net (term to 12/22)

Director Mary Sobol, 5205 Broadhead St., McFarland WI 53558 • 608-838-6962 (H) 608-338-8529 (cell) msobolontime@gmail.com (term to 12/22)

Director Mike Crawford, 817 5th St. Waunakee, WI 53539 608-213-1806 • mike@marieandmike.com (term to 2021)

Director Patrick Ready, (Past President) 815 Sky Ridge Dr., Madison, WI 53719 • 608/239-0791 • birdsready@gmail.com (term to 12/21)

Directors Fred & Mary Craig, 3308 Nathan Lane, Holmen WI 54636 • 608/783-2225 266marycraig@gmail.com (term to 12/23)

Director Andy Garcia-Rivera, 10 Darien Circle, Madison, WI 53717 • agarciarivera@gmail.com

Director Brad Zinda, 6737 Pinelake Dr. #213, Madison WI 53719 • brad.zinda@gmail.com (term to 12/22)

APPOINTED OFFICERS AND COMMITTEE CHAIRPERSONS:

Data Collection Officer: Steve Fallon (see above)

Public Relations: Steve Sample (see above)

County Coordinator Chair: Gene Birr, 3698 Morgan Marsh Rd Oconto Falls, WI 54154 • 920-373-2551 • gbbird22@gmail.com

Funding: Dan Schroeder (see above)

WI Bluebird Editor: Patrick Ready (see above)

Membership: Valerie Van Winkle, PO Box 628492, Middleton, WI 53562 • ripvws@gmail.com

Promotions: Gene Kroupa (see above)

Student and Youth Outreach Committee: Positions open to volunteers

Website: Andy Garcia Rivera, agarciarivera@gmail.com

BRAW LIAISONS:

Bureau of Endangered Res. Liaison: Sumner Matteson, DNR, 101 S. Webster St. PO Box 7921, Madison, WI 53701 • 608/266-1571

WSO Liaison: Jennifer Wenzel • miloloki@wi.rr.com • 262-488-8077

BRAW Welcomes

These Members

Leon Kedina, Marshfield

Mary Kinnaird,

Waunakee

Mary Jo Desmond,

Glenwood City

Diana Oostdik, Monroe

Mrs Gregg Sutherland,

Juda

Waunakee Public

Library, Waunakee

2022 Donations

Richard Butusov, \$25

Beverly Cram, \$2000

Amy & Steve Bachman,
\$30 nest box

Carol Ramage, \$15 nest
box

Brian & Jane Nelson,
\$100

Deb Knudsen, \$50

Susan Basten, \$15 nest
box

Judith & Philip Loy, \$25

Ruthann Meiers, \$100

Kathleen Hawkins, \$15
nest box

Jerome & Sharon Woelfel,
\$125 nest box trail

Laurence Liegel, \$75
Thomas Ganfield, \$25
Rita Gundry, \$100
Eric Wickstrom, \$25
Rodger Meyer, \$10
Rich Hall-Reppen, \$100
Bonnie Lumberg, \$100
Charles Zarnoth, \$30
Richard Albert, \$25
research
William Prue, \$50
Leo Hoefgen, \$25
Joe V Franklin, \$100
Timothy Freeman, \$50
Bill & Janice Seybold, \$25
Walter Kugler Jr, \$5
Jolie Wood, \$50
Debra Walters, \$50
Jerry Klingbeil, \$100
Evelyn Psenicka, \$25
Janet Willman, \$25
Tammy Frey, \$25
Joan Harmet, \$10 nest
box
Nicole Kallio, \$100
Tracee Neumann, \$50
Michael Morgan, \$100
Jack Saltes, \$25
Beth Clabots, \$5
Jan & Jim Spredemann,
\$25



Wisconsin Bluebird • Volume 37, Number 1 • Spring 2022
Published by the **Bluebird Restoration Association of Wisconsin, Inc.**

Editor, Designer, Photographer
Patrick Ready, 815 Sky Ridge Dr., Madison WI 53719
608-239-0791 • birdsready@gmail.com

CHANGE OF ADDRESS: Contact Membership Chair **Valerie Van Winkle**, PO Box 628492, Middleton, WI 53562, Email: ripvws@gmail.com

Wisconsin Bluebird is published quarterly by the Bluebird Restoration Association of Wisconsin, Inc. (BRAW) 815 Sky Ridge Dr., Madison, WI 53719. Subscription price is included in membership dues. Subscriptions and membership renewals should be sent to: **Valerie Van Winkle, PO Box 628492, Middleton, WI 53562**

Issues are dated Spring, Summer, Fall, and Winter. Deadlines for submissions to the editor are due the 15th of January, April, July, and October.

Except for material with a copyright notice, permission to reproduce material printed in *Wisconsin Bluebird* newsletter is granted providing credit is given to *Wisconsin Bluebird* newsletter as the publisher and to the author(s) or photographer(s) whose bylines and photo credits appear with the story or photographs.

The mission and purpose of the **Bluebird Restoration Association of Wisconsin, Inc.** is to broaden the base of state residents to help Eastern Bluebirds and native cavity nesters by erecting, maintaining and monitoring nest boxes.



NONPROFIT ORGANIZATION
U.S. POSTAGE PAID
MADISON, WI PERMIT #2783



BRAW Data Report 2021

See page 2

Check the address label. If it says "Spring 2022," then you need to RENEW membership now.

Life cycle of the Eastern Bluebird (*Sialia sialis*) by Patrick Ready.



Pair select box and female builds the nest.



Within a week or two 3-5 eggs are usually laid in the nest.



The male stands guard.



After 13-14 days of incubation the chicks hatch.



After 16-22 days old the chicks are ready to fledge.



The chicks grow quickly being fed by both parents.